

## EXC-WL35CBL LED Tile light



Application Environment:  
Outdoor

### Product description:

#### EXC-WL35CBL

#### Features

- High strength aluminum housing with low thermal resistance heat dissipatch design
- Full-sealed filling waterproof design by German imported glue
- Outdoor lightning protection and electrostatic discharge (ESD) protection design
- LED display level weather resistance, low current design

### Basic Specifications

Color Range	W
Light Source	SMD W LED
Source Life	35,000 h
Material	High Strength Aluminum housing + tempered glass
Weight	0.54kg

### Environmental Specifications

Working Temperature	-40°C to 50°C
Storage Temperature	-40°C to 70°C
Protection Rating	IP66

### Electrical Specifications

Working Voltage	DC 24V
Max. Power Consumption	5W

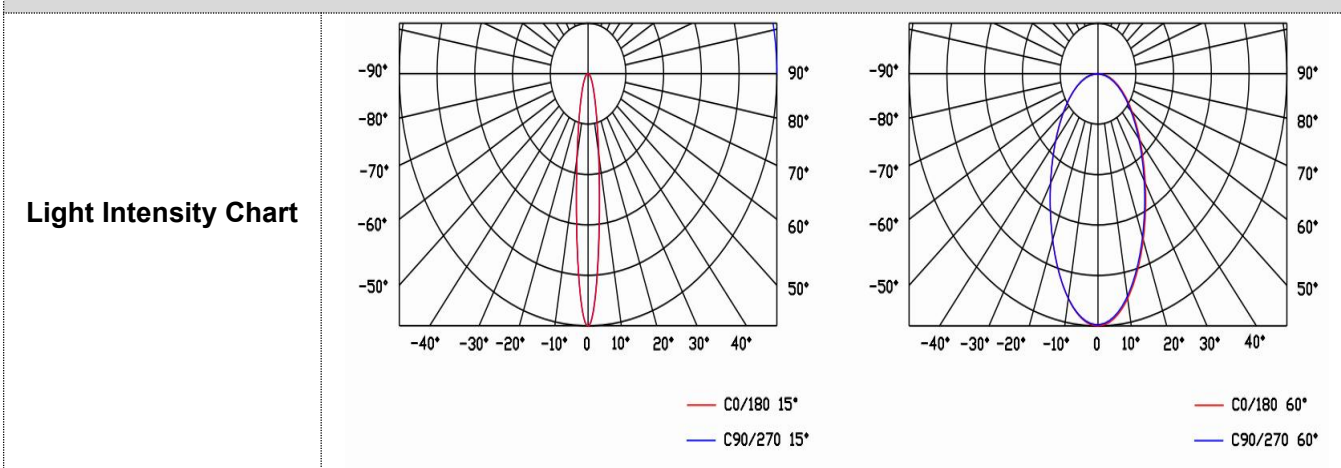
### Optical Specifications

Beam Angle	10°、15°、60°、
------------	--------------

### Controller

Host Controller	EXC-Y220、EXC-Y880、EXC-M520、 EXC-5200、EXC-6000、EXC-8000、 EXC-10000.....
Slave Controller	EXC-S880、EXC-2905.....

### Light Intensity Distribution

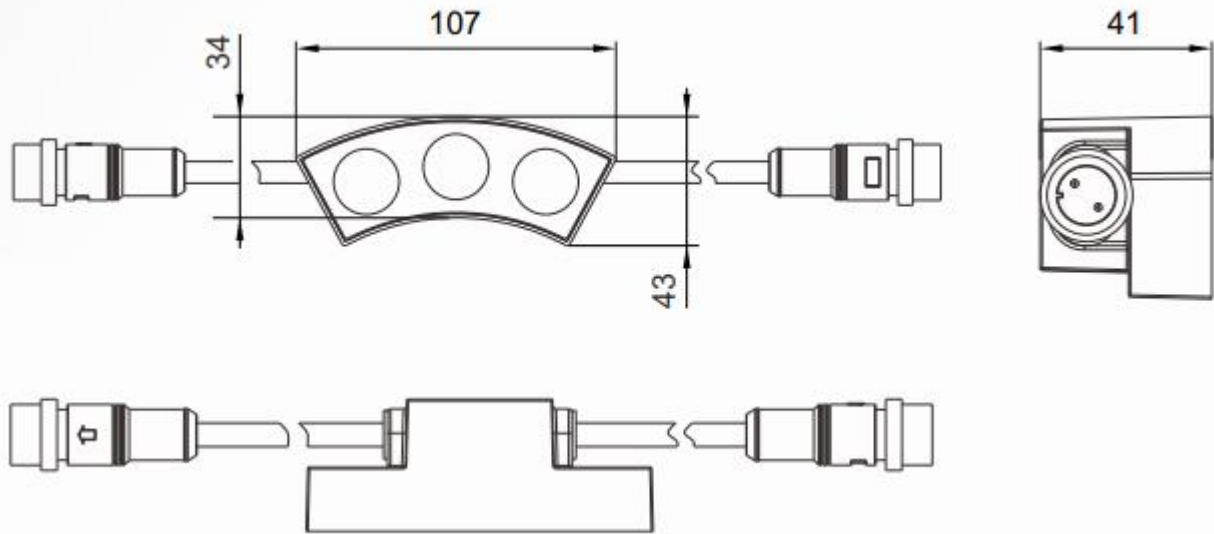


### 可提供型号 Order Info

Product Model	Volta ge	Watt	Light Source	Beam Angle	Protoc ol	Gre y Scal e	Material	Lumen Output	Led brand
WL35CBL	DC24V	5W	3pcsW	6/8/10/15 /20/30 /45/60 /80°	ON/OFF	/	Aluminum	180LM	Optional
WL35CBL	DC24V	5W	3pcsW		DMX512	256	Aluminum	180LM	Optional
WL35CBL	DC24V	5W	3pcsW		ON/OFF	/	Aluminum	240LM	Optional
WL35CBL	DC24V	5W	3pcsW		DMX512	256	Aluminum	240LM	Optional

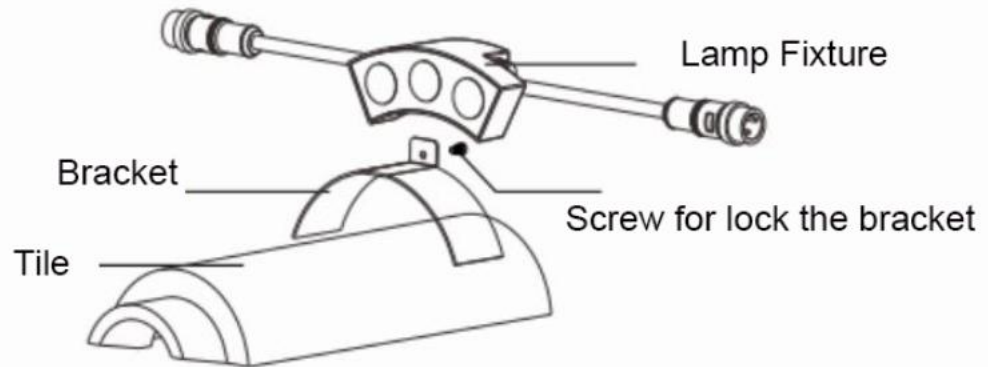
产品尺寸图: **Physical Dimension**

单位: mm Unit: mm

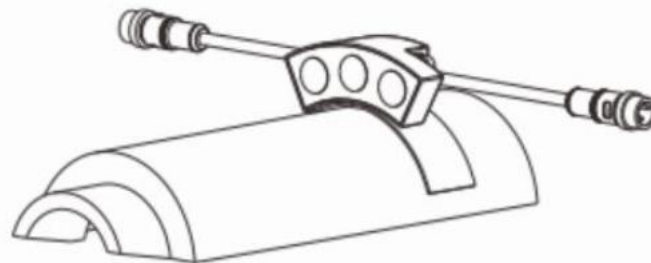


**Installation Diagram**

1. Fix the bracket onto tiles, fastern the lamp fixture via screw



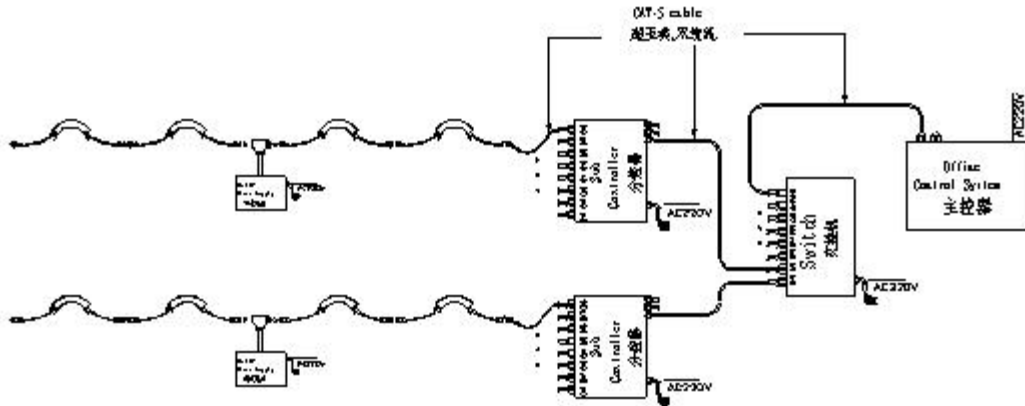
2:Align the mounting bracket on the tile ,Position the lamp pixel



**System connection diagram:**

- 1、 Host controller should connect with slave controller. Working voltage for controllers are AC220V.
- 2、 On-line main controller should connect with slave controller, on-line main controller and sub controller working voltage are AC220V.
- 3、 each sub-controller with 8 ports, with each port 512 pixels, supporting data converter, supports 100 meters ultra-long haul transmission.
- 4、 The CAT-5 e. cable distance should be within 100 meters between host controller and slave controller, between slave controllers and switch, etc.
- 5、 the maximum spacing of not more than 5 meters, more than the need to add a signal amplifier.

**Offline Controlling System Diagram**



Online Controlling System Diagram

