

**EXC-W66BBL Multi-pixel LED Wall Washer**



Application Environment:  
Indoor  
Outdoor

**Description**

**EXC-W64BBL full color series** are high power outdoor landscape LED wall washer with high strength aluminum alloy housing by EXC-LED. EXC-W64BBL can be used for accent lighting or flood lighting, such as building facade, bridge, stage, etc. Customized lighting fixture length available.

**Features**

- Professional comb convection heat dissipation design
- Unique waterproof and breathable design
- Low thermal resistance path heat dissipation design
- Outdoor lightning protection and electrostatic discharge (ESD) protection design
- Projection distance: 1-8m

**Basic Specifications**

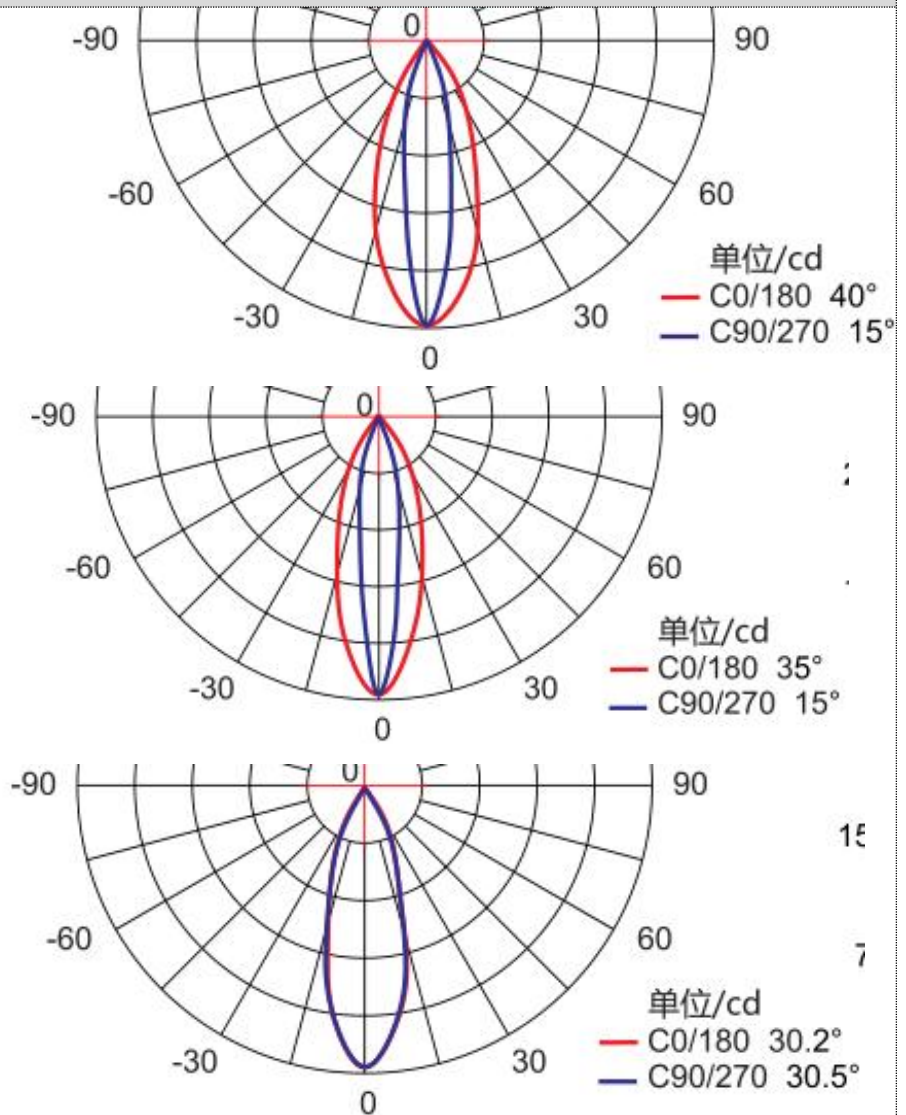
Color Range	W(2200K-6500K)
Light Source	24/36
Working Voltage	DC 24V
Max. Power Consumption	54/60W
Control	DMX512, ON/OFF
Segment	1,2
Grey Scale	8bit, 16bit
Source Life	50,000 h
RDM	Optional
LED chip Brand	Optional(Cree, OSRAM, Lumileds, Epistar, etc...)
Housing	High Strength Aluminum
Cover	Tempered glass
Weight	2.6KG
Working Temperature	-40°C to 60°C
Storage Temperature	-40°C to 70°C
Protection Rating	IP66

Efficiency flux	≥70LM/W(White), ≥45LM/W(RGBW), ≥30LM/W(RGB)
Beam Angle	10*65°, 30°, 45°, 60° and other beam angle available

Host Controller	EXC-5200
Slave Controller	EXC-2905T1
Signal Cable	EXC-LED outdoor special cable

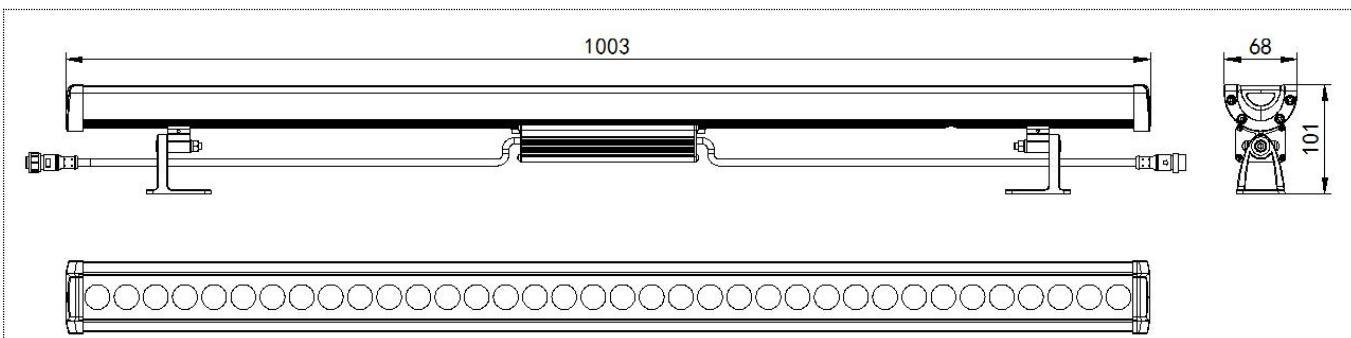
### Light Intensity Distribution

### Light Intensity Chart

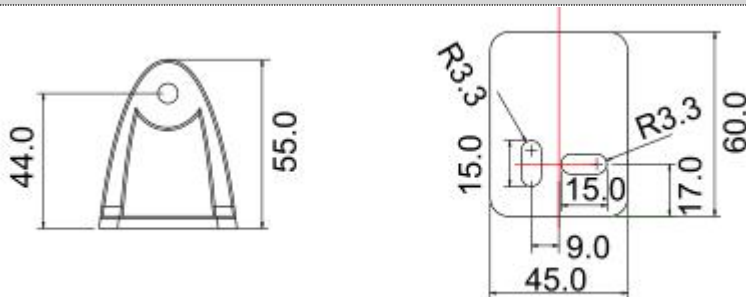


### Physical Dimension

Unit:mm

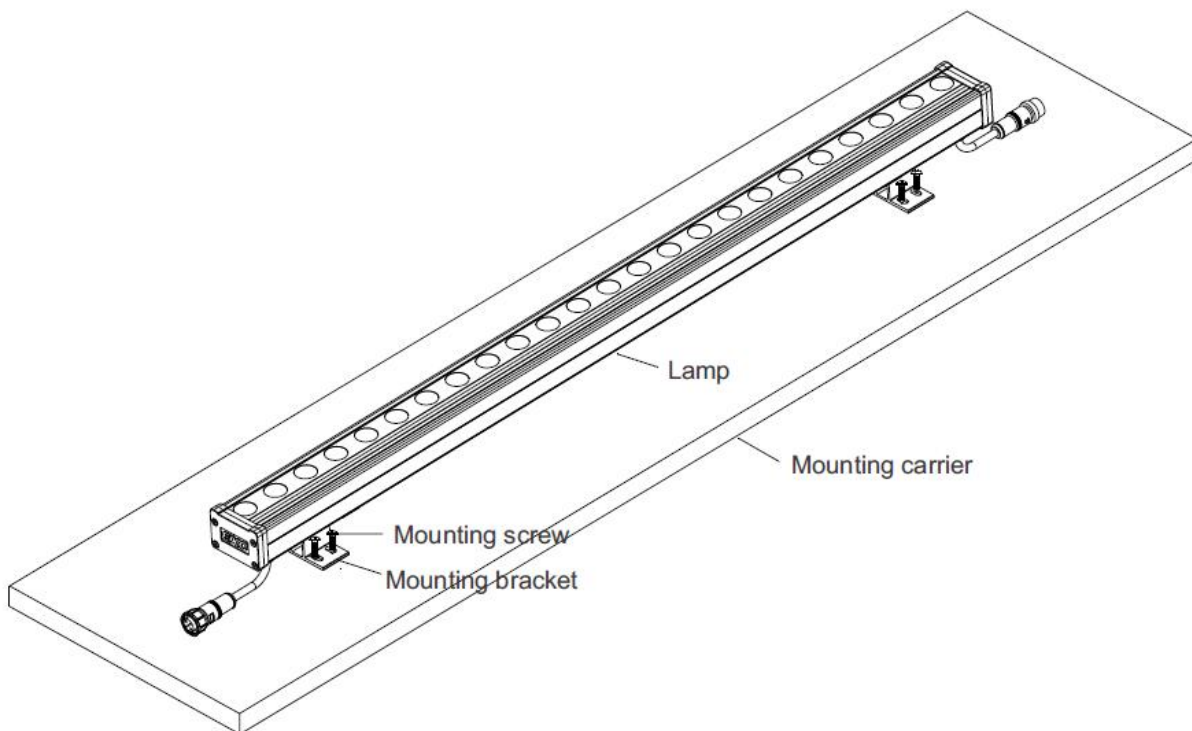


**Mounting Accessories 1:**



**Installation Diagram**

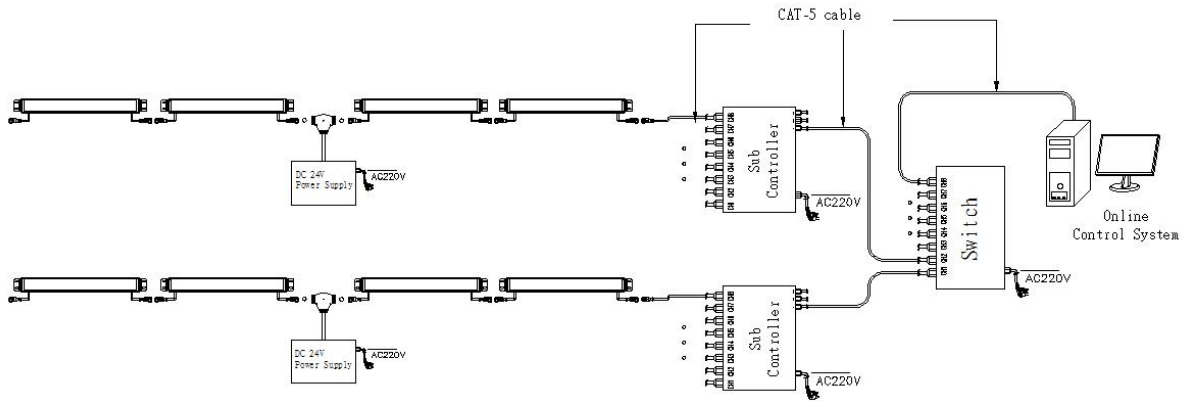
Use M6 expansion screws to fix the mounting seat to the required position as shown in the figure. The specific spacing shall be based on the length of lights.



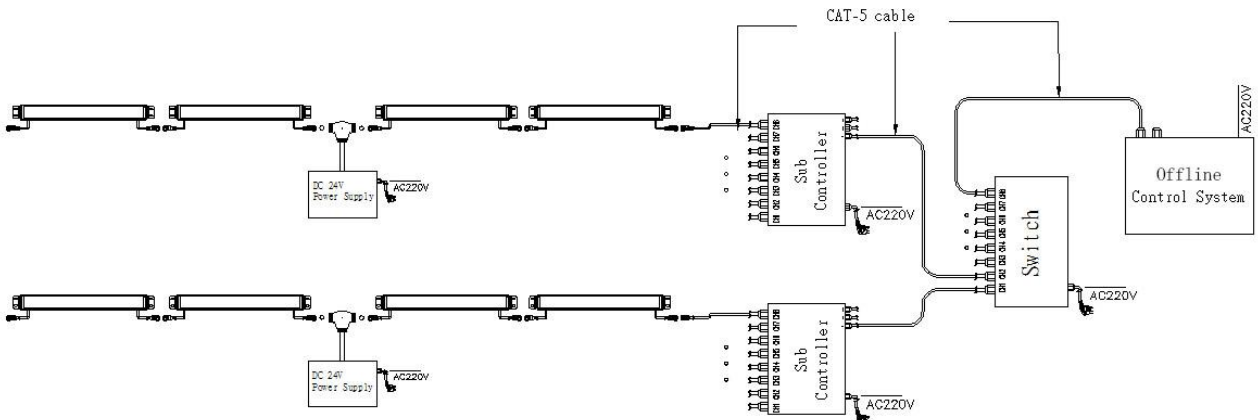
**System connection diagram:**

- 1, Host controller should connect with slave controller. Working voltage for controllers are AC220V.
- 2, On-line main controller should connect with slave controller, on-line main controller and sub controller working voltage are AC220V.
- 3, Each sub-controller with 8 ports, with each port 512 pixels, supporting data converter, supports 100 meters ultra-long haul transmission.
- 4, The CAT-5 e. cable distance should be within 100 meters between host controller and slave controller, between slave controllers and switch, etc.

**Online Controlling System Diagram**



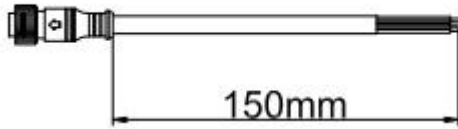
**Offline Controlling System Diagram**



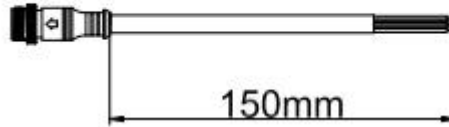
**Accessories :**

**1: Female and Male Connector( Connect to first dot light for signal transmission)**

Female Connector

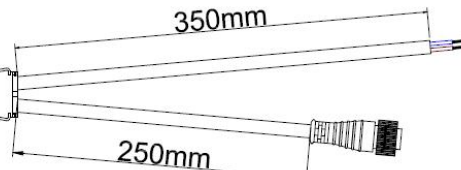
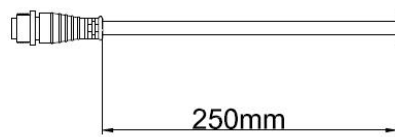


Male Connector



**2: Y Shape Connector(For power Distribution)**

Male Connector



Female Connector

**3: Interconnection Cable(1.3M,3M,5M is standard length)**

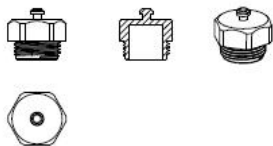
Female Connector



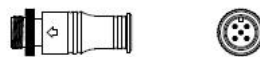
Male Connector



**4: End Cap**



Male Connector



Male Connector