

EXC-W50DBL LED Wall Washer



Description

EXC-W50DBL series are high power outdoor landscape LED wall washer with high strength aluminum alloy housing by EXC-LED. Each lighting fixture is a separate lighting pixel, and each pixel can realize 65536 grades gray scale changing. EXC-W50DBL can be used for accent lighting or flood lighting, such as building facade, bridge, stage, etc. Customized lighting fixture length available.

Features

- The newest generation technology: DMX512 parallel bus design
- Unique appearance, end face is diamond-shaped design
- Professional comb convection heat dissipation design
- Low thermal resistance path heat dissipation design
- Outdoor lightning protection and electrostatic discharge (ESD) protection design
- Projection distance: 1-3m

Application Environment:
Indoor
Outdoor

Basic Specifications

Color Range	R+G+B+W/ White (2200-6500K)
Light Source	12pcs SMD R+12pcs SMD G+ 12pcs SMD B+12pcs SMD W LDES 48pcs SMD W LEDs
Source Life	50,000 h
Material	High Strength Aluminum housing + tempered glass
Weight	2.5Kg

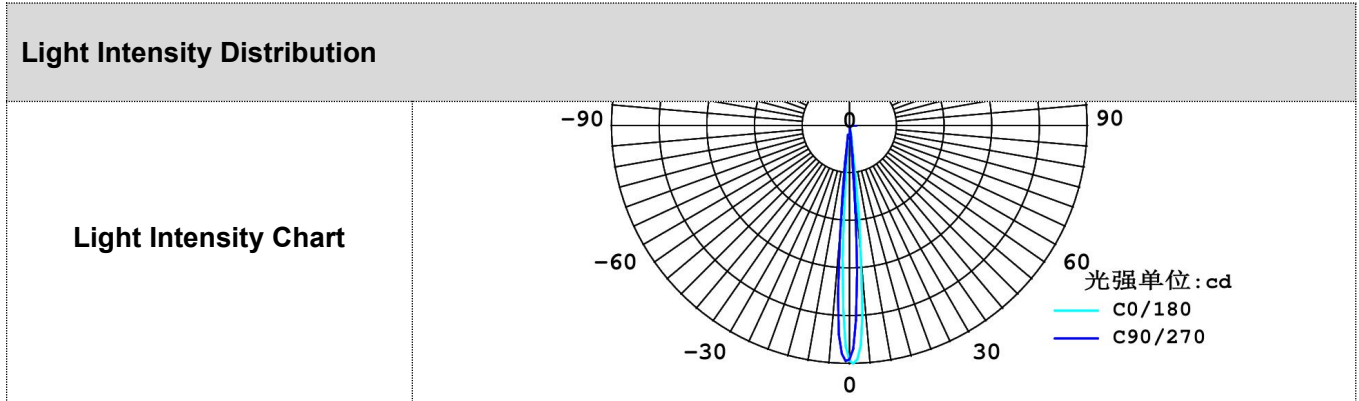
Environmental Specifications

Working Temperature	-40°C to 50°C
Storage Temperature	-40°C to 70°C
Protection Rating	IP66

Electrical Specifications

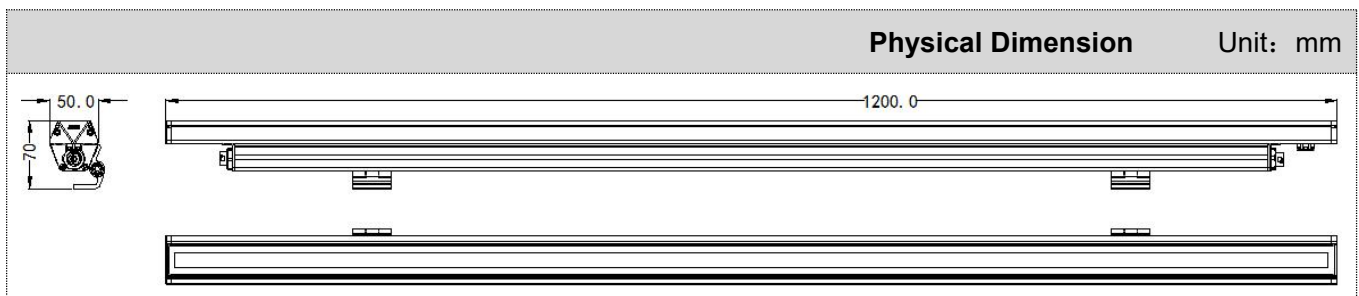
Working Voltage	DC 24V
-----------------	--------

Power Consumption	48W
Optical Specifications	
Light Intensity	2400LM(R+G+B+W)/3360LM (W-3000K)
Beam Angle	10°, and other beam angle available



Order Info

Series	Model	Light Source	Protocol	Grey Scale	Segment	Material	Working Voltage	Watt age	Lumen	Optical	LED Chip
D	EXC-W50 DBL-48F-C0	12pcs SMD R+12pcs SMD G+12pcs SMD B+12pcs SMD W LDES	DMX 512	65536	1	Aluminum	DC24V	48W	≥ 2400lm	Yes	Optional
	EXC-W50 DBL-48W-D1	48pcs SMD W LEDs	ON/OFF	-	-	Aluminum	DC24V	48W	≥ 3360lm	Yes	Optional
	EXC-W50 DBL-36W-D1	36pcs SMD W LEDs	ON/OFF	-	-	Aluminum	DC24V	36W	≥ 2520lm	Yes	Optional

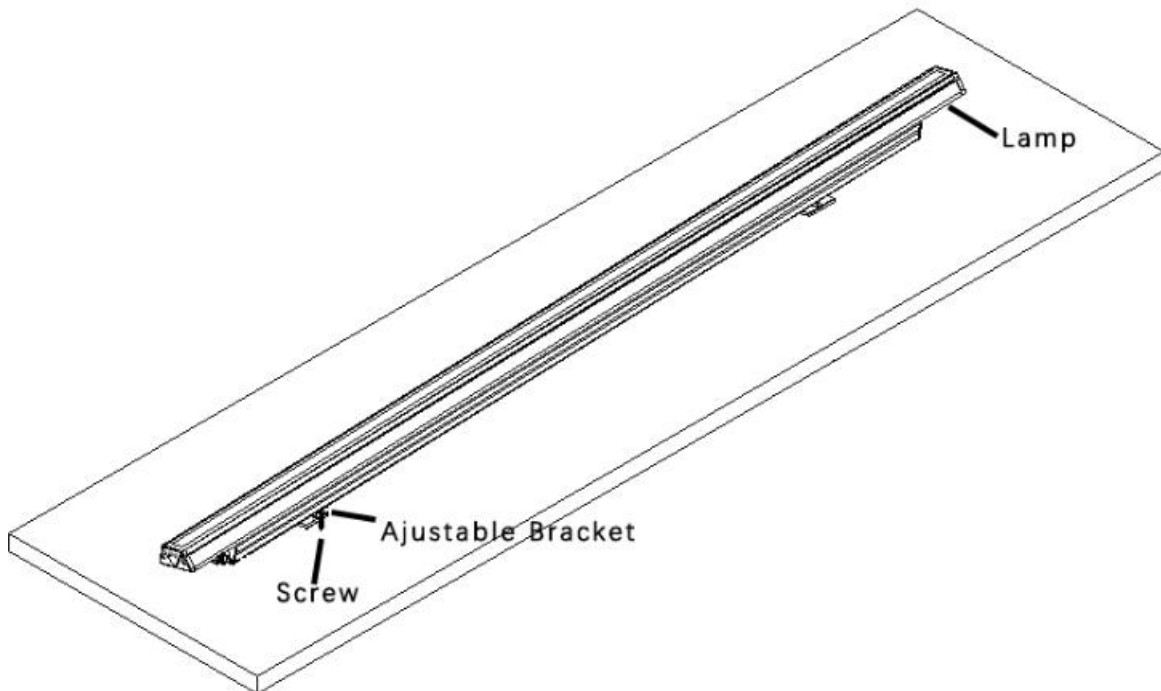


Installation Diagram

1、Facade installation

1: Use M6 Screw, Fix the lamp to the designated position

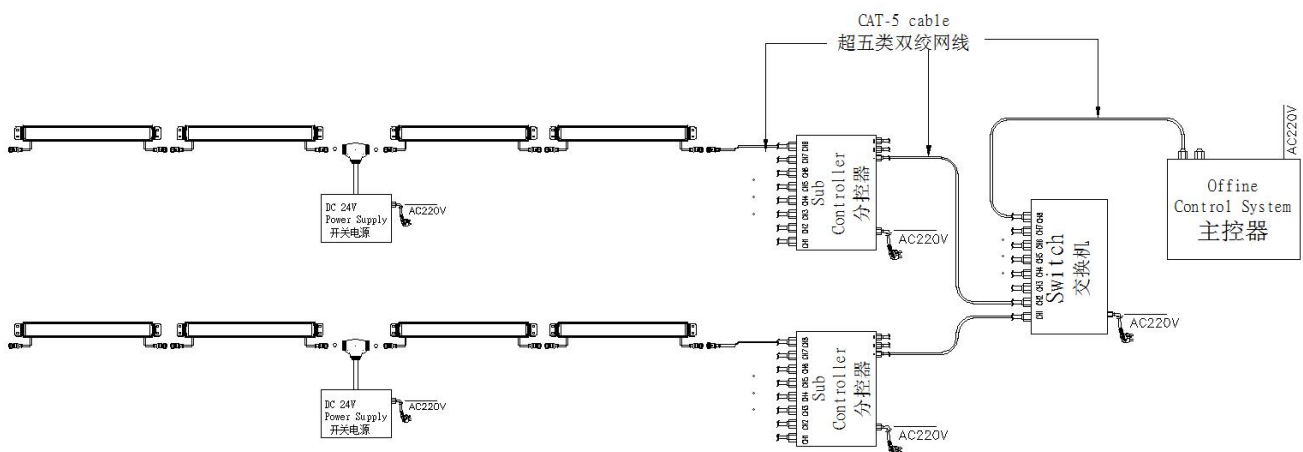
2: Lock the screw



System connection diagram:

- 1、 Host controller should connect with slave controller. Working voltage for controllers are AC220V.
- 2、 On-line main controller should connect with slave controller, on-line main controller and sub controller working voltage are AC220V.
- 3、 each sub-controller with 8 ports, with each port 512 pixels, supporting data converter, supports 100 meters ultra-long haul transmission.
- 4、 The CAT-5 e. cable distance should be within 100 meters between host controller and slave controller, between slave controllers and switch, etc.

Offline Controlling System Diagram



Online Controlling System Diagram

