

**EXC-W45CRL Multi-pixel LED Wall Washer**



Application Environment:  
Indoor  
Outdoor

**Description**

**EXC-W45CRL full color series** are high power outdoor landscape LED wall washer with high strength aluminum alloy housing by EXC-LED. EXC-W45CRL can be used for accent lighting or flood lighting, such as building facade, bridge, stage, etc. Customized lighting fixture length available.

**Features**

- The newest generation technology: DMX512 parallel bus design
- Patented comb-like convection design ensure better heat dissipation
- Low thermal resistance path heat dissipation design
- Design of unique waterproof and ventilation
- Outdoor lighting protection and electrostatic discharge (ESD) protection design
- Projection distance: 1-5m

**Basic Specifications**

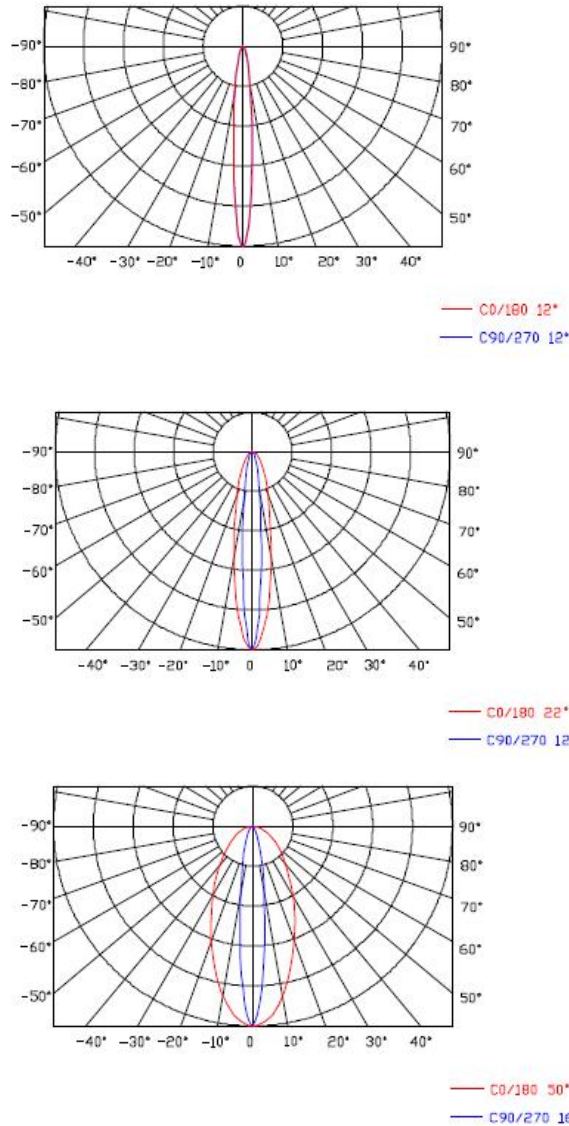
Color Range	RGBW, RGB, W(2200K-6500K)
Light Source	18/24/36 pcs LEDs
Working Voltage	DC 24V
Max. Power Consumption	24W/36/48W(white), 54/60W(RGB), 48W(RGBW)
Control	DMX512, ON/OFF
Segment	1
Grey Scale	8bit, 16bit
Source Life	50,000 h
RDM	Optional
LED chip Brand	Optional(Cree, OSRAM, Lumileds, Epistar, etc...)
Housing	High Strength Aluminum
Cover	Tempered glass
Weight	2.6KG

Working Temperature	-40°C to 60°C
Storage Temperature	-40°C to 70°C
Protection Rating	IP66
Efficiency flux	75LM/W(white), 35LM/W(RGB), 40LM/W(RGBW)
Beam Angle	3030/3535: ( 12° 、 17° 、 12*22° 、 16*50° ) CREE 5050: ( 20° 、 30° 、 45° 、 60° 、 20*40° ) and other beam angle available

Host Controller	EXC-5200
Slave Controller	EXC-2905T1
Signal Cable	EXC-LED outdoor special cable

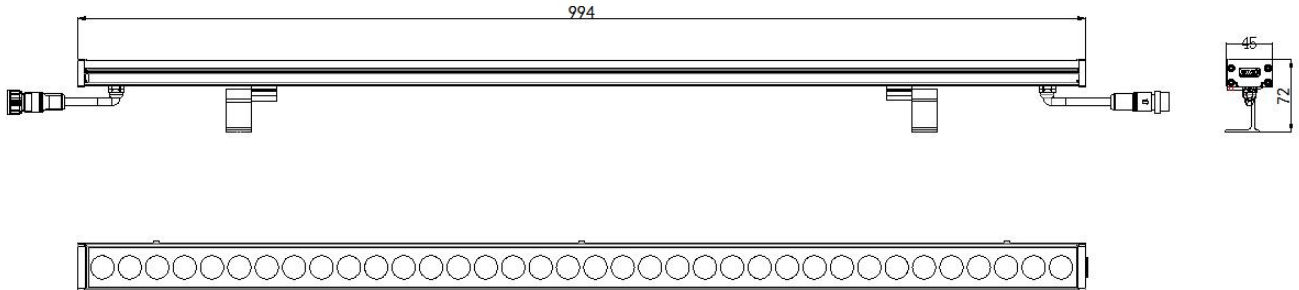
## Light Intensity Distribution

### Light Intensity Chart

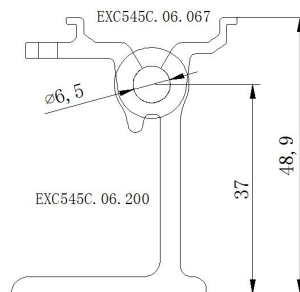


**Physical Dimension**

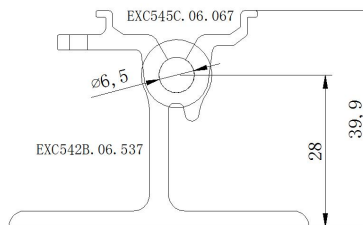
Unit: mm



**Mounting Accessories 1:**



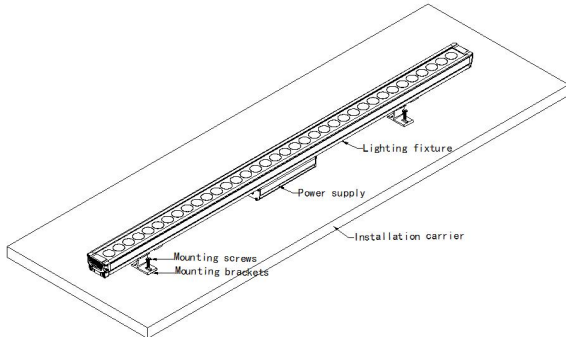
**Mounting Accessories 2:**



**Installation Diagram**

Step 1: Use M6 expansion screw and fix the mounting seat to the required position as shown. And specific spacing according to lamp length requirements.

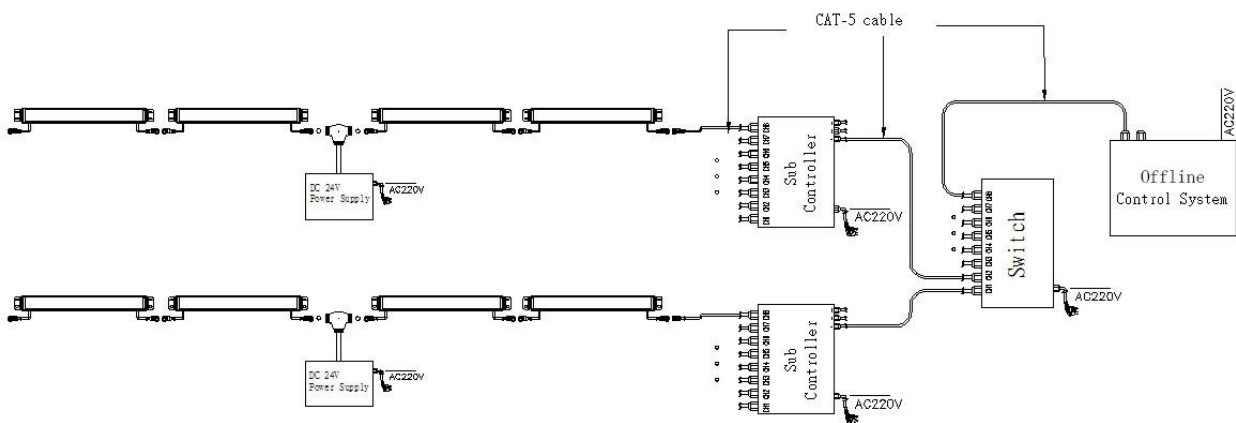
Step2: Fix the screws.



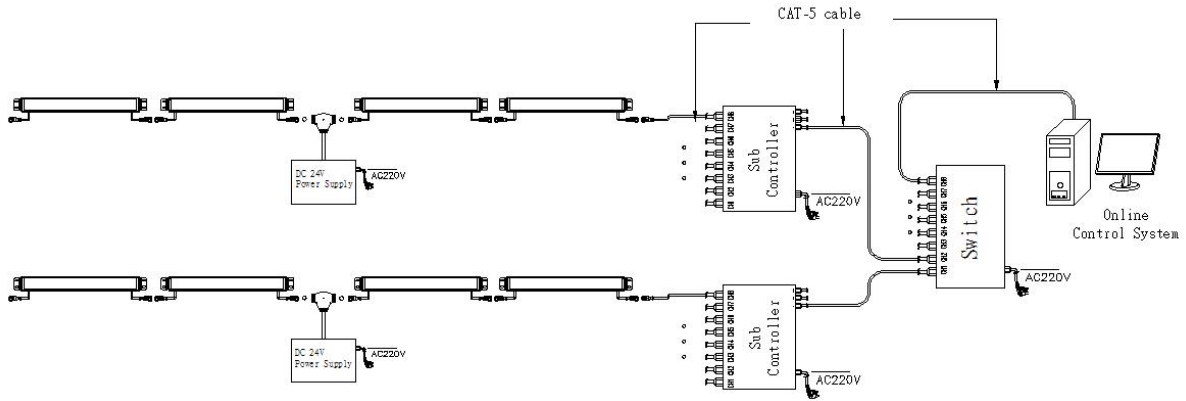
### System connection diagram:

- 1、 Host controller should connect with slave controller. Working voltage for controllers are AC220V.
- 2、 On-line main controller should connect with slave controller, on-line main controller and sub controller working voltage are AC220V.
- 3、 each sub-controller with 8 ports, with each port 512 pixels, supporting data converter, supports 100 meters ultra-long haul transmission.
- 4、 The CAT-5 e. cable distance should be within 100 meters between host controller and slave controller, between slave controllers and switch, etc.

### Offline Controlling System Diagram



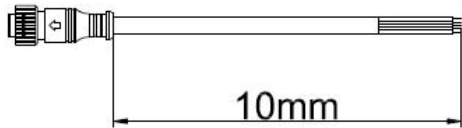
### Online Controlling System Diagram



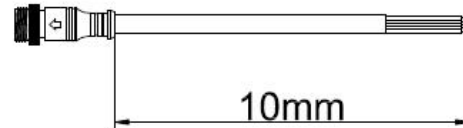
**Accessories :**

**1: Female and Male Connector( Connect to first dot light for signal transmission)**

Female Connector

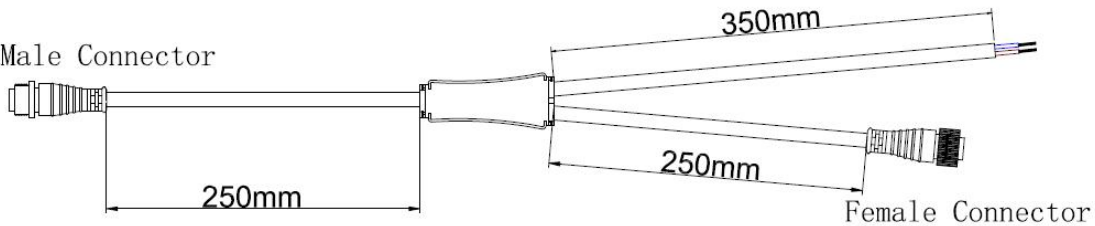


Male Connector



**2: Y Shape Connector(For power Distribution)**

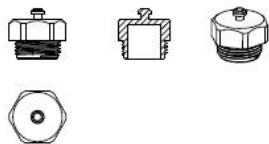
Male Connector



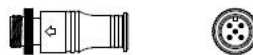
**3: Interconnection Cable(1.3M,3M,5M is standard length)**



**4: End Cap**



Male Connector



Male Connector