

## EXC-P46AP2 LED Pixel Light



Application Environment:  
Indoor  
Outdoor

### Description

**EXC-P46AP2 full-color series** consists of full-color chip LED string pixel lights specially designed by EXC for outdoor landscape lighting. It adopts top-level optical vision angle design, super remote multi-color and visual brightness consistency technology and precision control. Each pixel is a separate four-primary lighting pixel, and each pixel can realize 65536 grades gray scale changing; they can be used for extra-large area display of building facades, contour shaping, interior and exterior surface decoration lighting; the pixel pitch can be customized; the installation methods are various.

### Features

- The newest generation technology: DMX512 parallel bus design
- High gray scale, high wash, no-strobe design, delicate and soft colors
- Top-level optical vision angle, near and remote multi-color and visual brightness consistency design
- Integrated clip-on endless connection
- Fully sealed and waterproof design with high thermal conductive adhesive imported from Germany
- Special outdoor lightning and ESD protection

### Basic Specifications

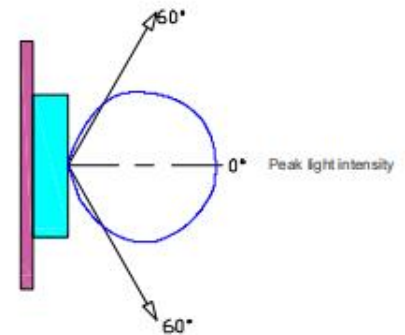
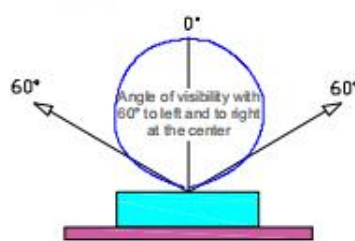
Color	W, RGB, RGB+W
Working Voltage	24V
Max. Power Consumption	1.5W/1.8W/3W
Light Source	6/9pcs SMD LEDs
CRI	80
Control	ON/OFF, DMX512
Grey Scale	8bit, 16bit
Source Life	50,000h
RDM	Optional
LED chip Brand	Optional(Cree, OSRAM, Lumileds, Epistar, etc...)
Cover	PC(Transparent,Opal)
Housing	PC+ABS
Weight	45g
Dimensions	59mm x 46.5mm x 17.2mm (L x W x H, exclude Mounting Bracket)

Installation	Installation By Aluminum Profile
Working Temperature	-40°C to 60°C
Storage Temperature	-40°C to 70°C
Protection Rating	IP66
Luminous Flux	25LM/W(RGB), 50LM/W(White), 30LM/W(RGBW)
Central Light Intensity	30cd(W)/15cd(RGB)/22cd(RGB+W)
Beam Angle	120°/80°*120°

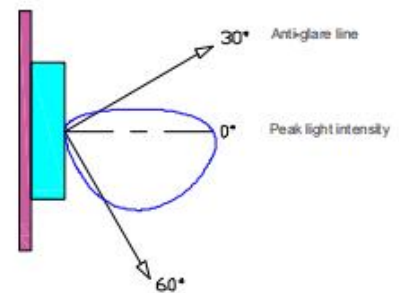
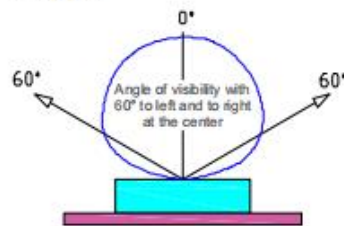
### Light Intensity Distribution

Light Intensity Chart

Conventional

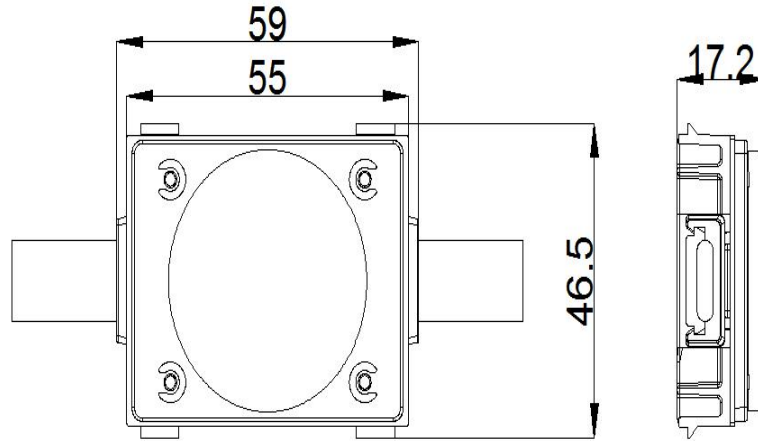


Polarization

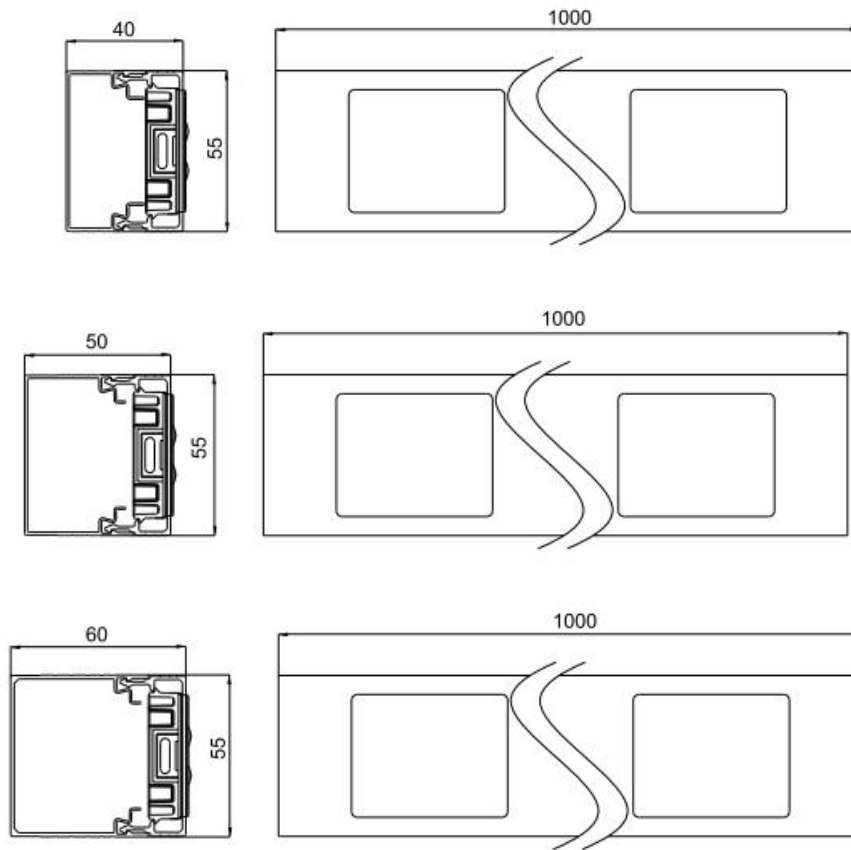


### Physical Dimension

Unit: mm



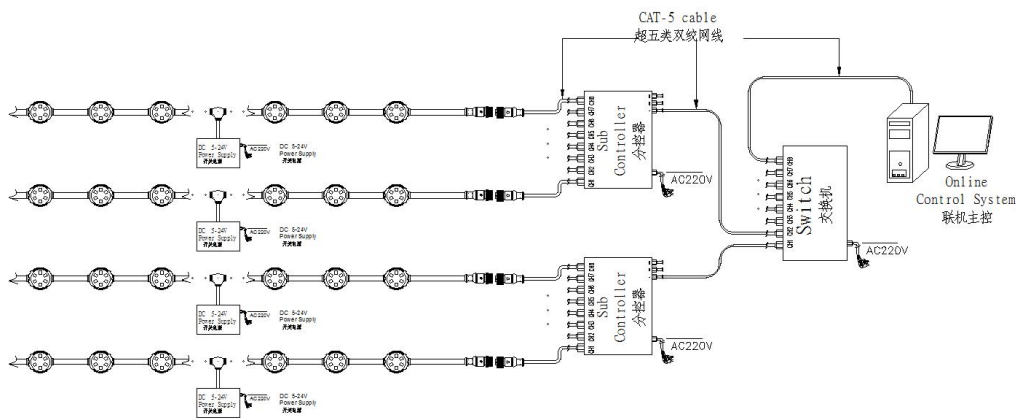
### Installation By Aluminum Profile



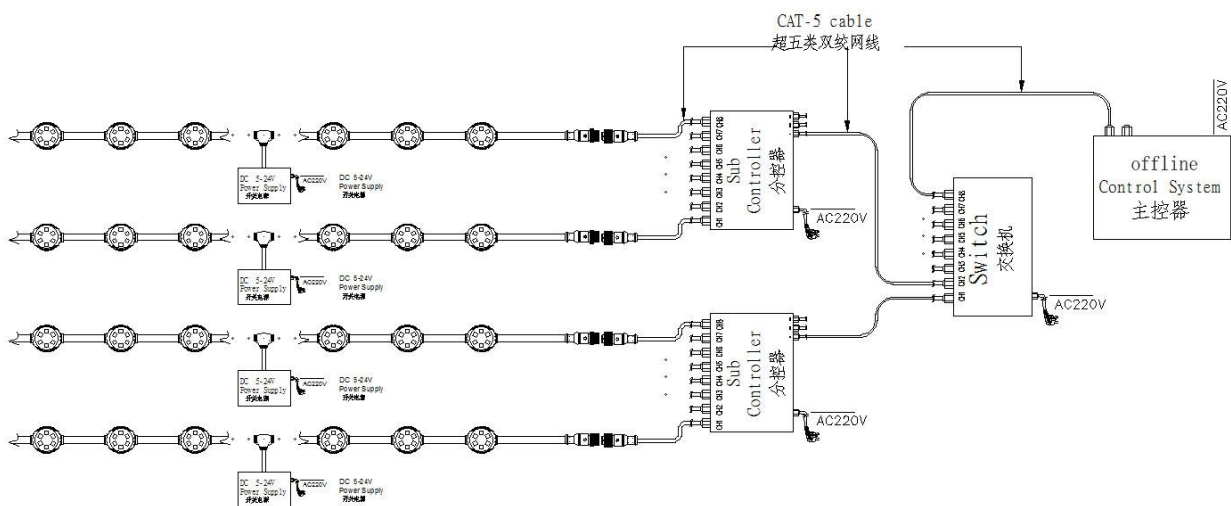
### System connection diagram:

- 1、Host controller should connect with slave controller. Working voltage for controllers are AC220V.
- 2、On-line main controller should connect with slave controller, on-line main controller and sub controller working voltage are AC220V.
- 3、each sub-controller with 8 ports, with each port 512 pixels, supporting data converter, supports 100 meters ultra-long haul transmission.
- 4、The CAT-5 e. cable distance should be within 100 meters between host controller and slave controller, between slave controllers and switch, etc.

### Online Controlling System Diagram



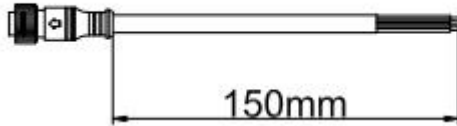
### Offline Controlling System Diagram



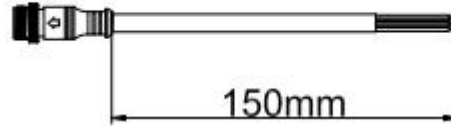
**Accessories :**

**1: Female and Male Connector( Connect to first dot light for signal transmission)**

Female Connector

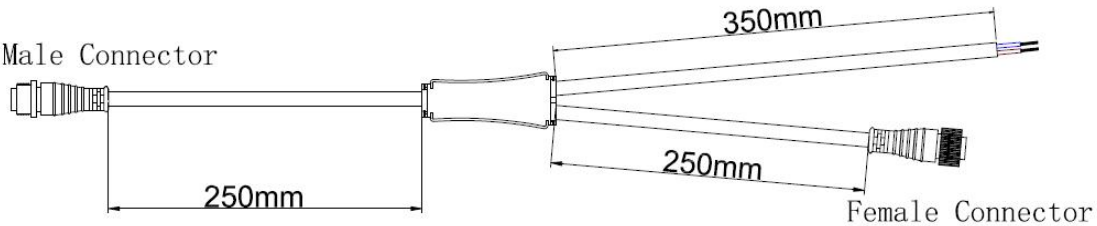


Male Connector



**2: Y Shape Connector(For power Distribution)**

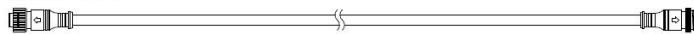
Male Connector



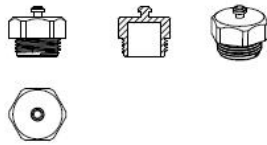
**3: Interconnection Cable(1.3M,3M,5M is standard length)**

Female Connector

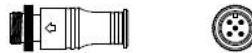
Male Connector



**4: End Cap**



Male Connector



Male Connector