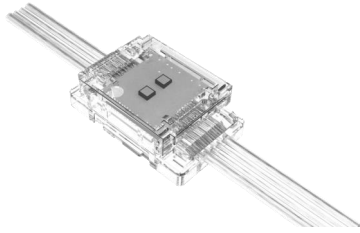


## EXC-P22GP5 LED Pixel Light



Application Environment:  
Indoor  
Outdoor

### Description

**EXC-P22GP5 series** are a full-color LED series string LED pixel, which are designed for outdoor landscape lighting by EXC-LED. Each EXC-P22GP5 pixel is a separate lighting pixel, and each pixel can realize 4096 grades gray scale changing. They can be used for indoor and outdoor applications, such as building facade, shopping mall, celebration ceremony or party decoration. Customized pixel pitch, and easy installation.

### Features

- Design of new generation serial redundancy control technology
- Clip on-off style connection and anti-pull connection without connector design
- High thermal conductivity transformer and full-sealed filling waterproof method by German imported glue
- Outdoor lighting protection and electrostatic discharge (ESD) protection design

### Basic Specifications

Color Range	RGB
Light Source	2pc SMD RGB LED
Source Life	50,000 h
Material	PC
Weight	10g

### Environmental Specifications

Working Temperature	-40°C to 50°C
Storage Temperature	-40°C to 70°C
Protection Rating	IP66

### Electrical Specifications

Working Voltage	DC 12V
Max. Power Consumption	0.72W

### Optical Specifications

Central light intensity	≥4.5cd (RGB)
Beam Angle	≥110°

Controller	
Host Controller	EXC-4000、EXC-5000、EXC-6000、EXC-8000、EXC-10000、EXC-ELAN
Slave Controller	EXC-2900
Data Interface	
Data Adapter	-
Signal Cable	EXC-LED outdoor special cable
Light Intensity Distribution	
Light Intensity Chart	<p>单位/cd — C0/180 — C90/270</p>

Series	Model	Light Source	Color	Control Method	Grey Scale	Visual Feedback	Failure Feedback	Material	Working Voltage	Wattage	Led Brand
G	EXC-P22 GP5-2M-C0	2pcs SMD RGB LEDs	RGB	RBT	4096	NO	NO	PC	DC12V	0.72W	Optional

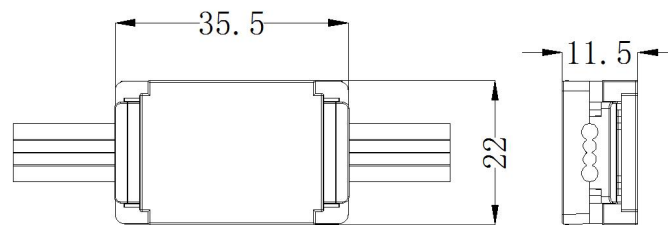
### Screen Manufacturer Order Info

	DC 5V	DC 12V	DC 5V	DC 12V	DC 5V	DC 12V
<b>Voltage</b>	DC 5V	DC 12V	DC 5V	DC 12V	DC 5V	DC 12V
<b>Summit Wattage</b>	96W/m <sup>2</sup>	230W/m <sup>2</sup>	76W/m <sup>2</sup>	180W/m <sup>2</sup>	30W/m <sup>2</sup>	72W/m <sup>2</sup>
<b>Average Wattage</b>	32W/m <sup>2</sup>	72W/m <sup>2</sup>	25W/m <sup>2</sup>	60W/m <sup>2</sup>	10W/m <sup>2</sup>	24W/m <sup>2</sup>
<b>Pixel Pitch</b>	55*55mm	55*55mm	62.5*62.5mm	62.5*62.5mm	100*100mm	100*100mm
<b>LEDS qty</b>	1颗 RGB	2颗 RGB	1颗 RGB	2颗 RGB	1颗 RGB	2颗 RGB
<b>CCT</b>	RGB	RGB	RGB	RGB	RGB	RGB
<b>LED Diodes</b>	3535	3535 RGB	3535 RGB	3535 RGB	3535 RGB	3535 RGB

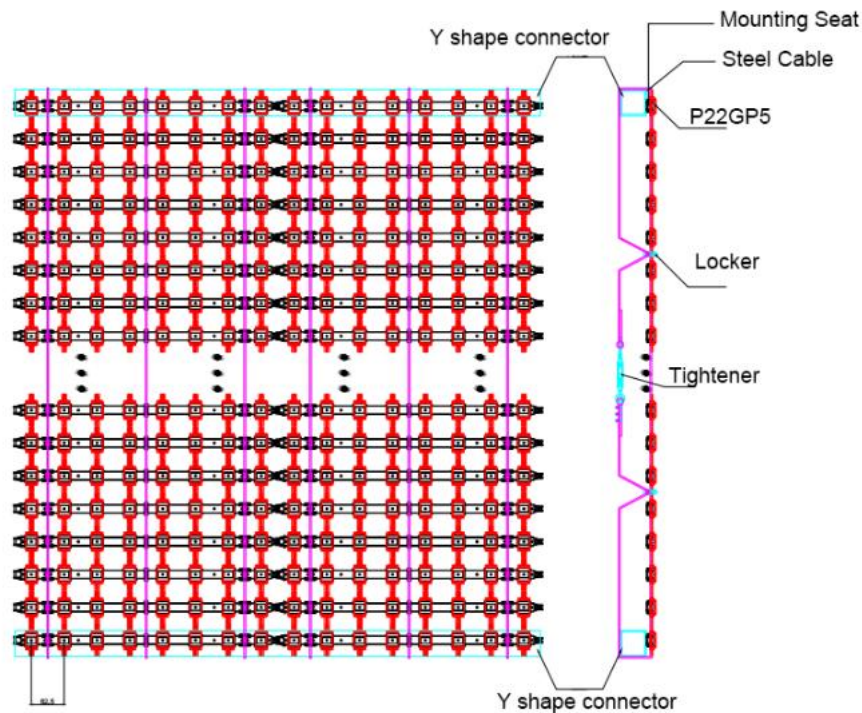
	RGB 3in1	3in1	3in1	3in1	3in1	3in1
<b>CD/M2</b>	>480cd/ m <sup>2</sup>	>1150cd/ m <sup>2</sup>	>380cd/ m <sup>2</sup>	>900cd/m <sup>2</sup>	>150cd/m <sup>2</sup>	>360cd/m <sup>2</sup>
<b>Transparency rate</b>	>52%	>52%	>57%	>57%	>80%	>80%
<b>resolution ratio</b>	324dot/ m <sup>2</sup>	324dot/m <sup>2</sup>	256dot/m <sup>2</sup>	256dot/m <sup>2</sup>	100dot/m <sup>2</sup>	100dot/m <sup>2</sup>
<b>Control Method</b>	RBT	RBT	RBT	RBT	RBT	RBT
<b>Refresh Rate</b>	>2KHz	>2KHz	>2KHz	>2KHz	>2KHz	>2KHz
<b>Repetition Frequency</b>	>60HZ	>60HZ	>60HZ	>60HZ	>60HZ	>60HZ
<b>Grey Scale</b>	4096	4096	4096	4096	4096	4096

### Physical Dimension

Unit: mm



### Installation Diagram



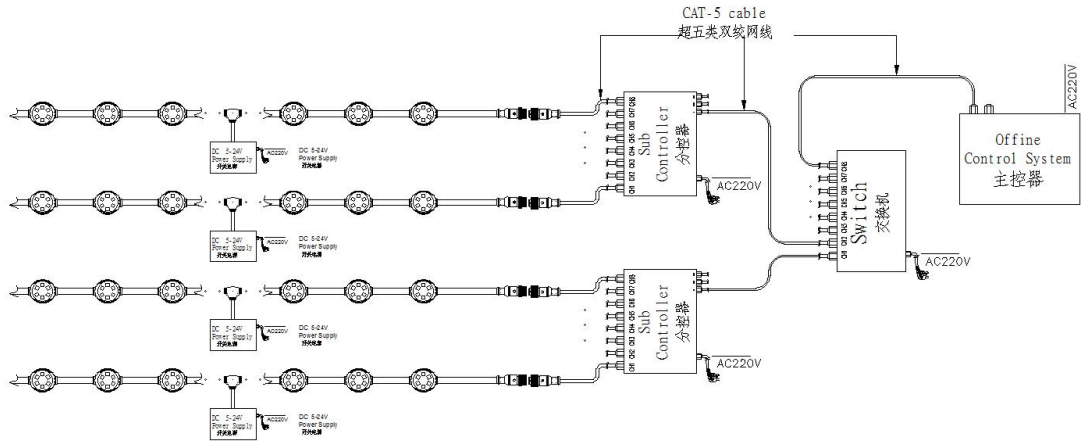
Remark:

- 1) here use 0.5M\*4M/3M as standard one, Pixel pitch 62.5MM.
- 2) tighten the steel cable through locker

**System connection diagram:**

- 1、 Host controller should connect with slave controller. Working voltage for controllers are AC220V.
- 2、 On-line main controller should connect with slave controller, on-line main controller and sub controller working voltage are AC220V.
- 3、 each sub-controller with 8 ports, with each port 512 pixels, supporting data converter, supports 100 meters ultra-long haul transmission.
- 4、 The CAT-5 e. cable distance should be within 100 meters between host controller and slave controller, between slave controllers and switch, etc.
- 5、 the maximum spacing of lamp not more than 5 meters, need to add a signal amplifier if exceed .

**Offline Controlling System Diagram**



**Online Controlling System Diagram**

