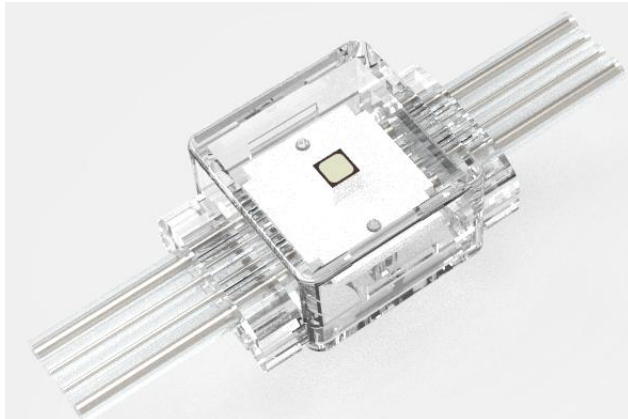


## EXC-P18BP0 LED Pixel Light



Application Environment:  
Indoor  
Outdoor

### Description

**EXC-P18BP0** are a series string LED pixel, which are designed for outdoor landscape lighting by EXC-LED. Each EXC-P18BP0 pixel is a separate lighting pixel, and each pixel can realize  $\cong 256$  grades gray scale changing. They can be used for indoor and outdoor applications, such as building facade, shopping mall, celebration ceremony or party decoration. Customized pixel pitch, and easy installation

### Features

- High transparency, high waterproof, high appearance design
- Full angle, high brightness, multi view effect design
- High thermal conductivity transformer and full-sealed filling waterproof method by German imported glue
- Outdoor lighting protection and electrostatic discharge (ESD) protection design
- Flexible design ensures kinds of mounting way

### Basic Specifications

Color Range	RGB
Light Source	1pc SMD RGB LEDs
Source Life	50,000h
Material	PC transparent lamp case +PC transparent lampshade
Weight	6g

### Environmental Specifications

Working Temperature	-40°C to 50°C
Storage Temperature	-40°C to 70°C
Protection Rating	IP66

### Electrical Specifications

Working Voltage	5V/12V
Max. Power Consumption	0.3W

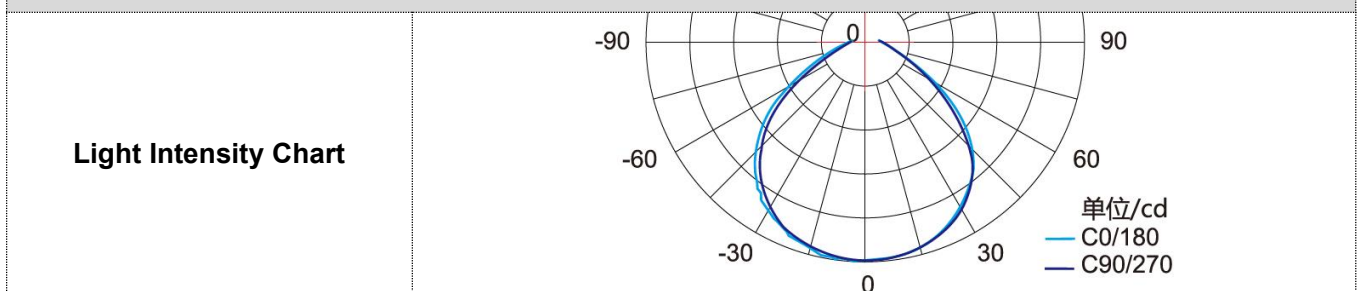
### Optical Specifications

Central light intensity	Mix white: 2.5cd
Beam Angle	≥ 105°

### Controller

Host Controller	EXC-M520
Slave Controller	EXC-2905T1

### Light Intensity Distribution

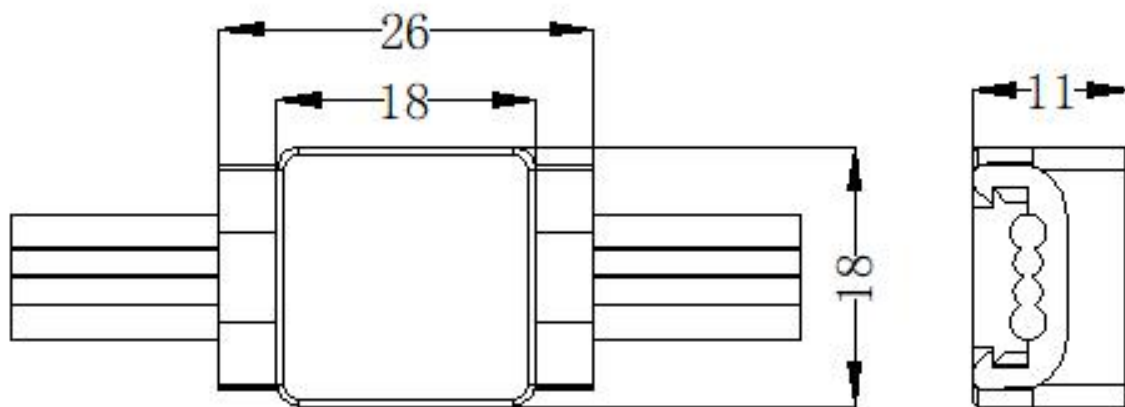


### Order Info

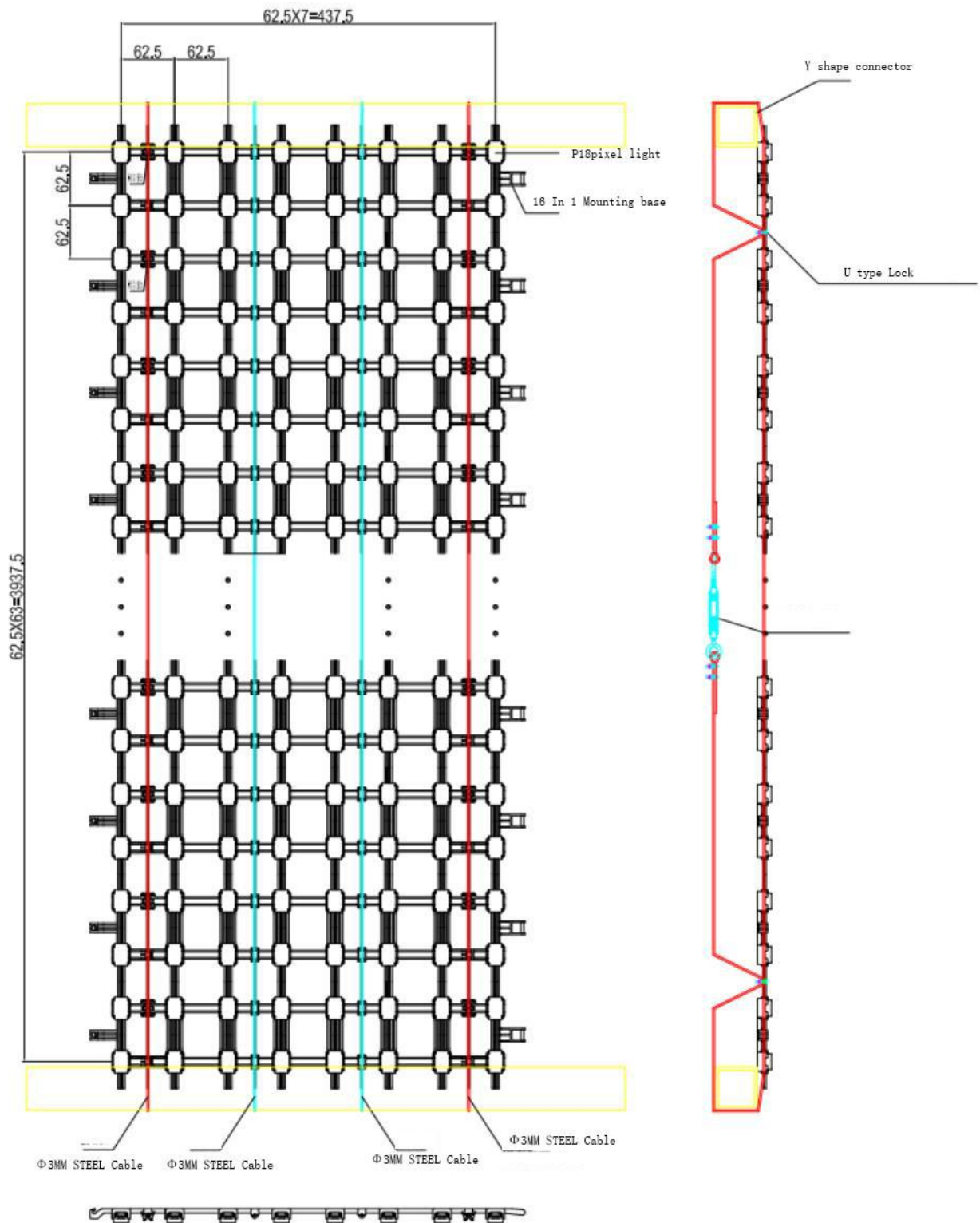
Series	Model	Light source	Color	Contr ol	Grey Scale	Visual	feedba ck	mater ial	Working voltage	watt	intensity	Led brand
BP	EXC-P18B P0-M1	1pc SMD RGB	RGB	RBT 512	≅ 256	/	/	plasti c	DC5V	0.3 W	2.5cd	Option
	EXC-P18B P0-M1	1pc SMD RGB	RGB	RBT 512	≅ 256	/	/	plasti c	DC12V	0.3 W	2.5cd	Option

### Physical Dimension

单位: mm Unit: mm



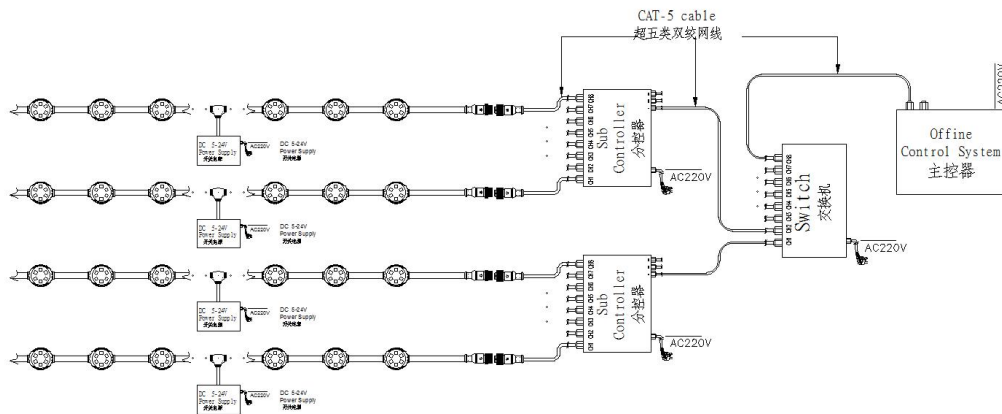
### Installation Diagram



### System connection diagram:

- 1、Host controller should connect with slave controller. Working voltage for controllers are AC220V.
- 2、On-line main controller should connect with slave controller, on-line main controller and sub controller working voltage are AC220V.
- 3、each sub-controller with 8 ports, with each port 512 pixels, supporting data converter, supports 100 meters ultra-long haul transmission.
- 4、The CAT-5 e. cable distance should be within 100 meters between host controller and slave controller, between slave controllers and switch, etc.
- 5、the maximum spacing for first lamp more than 5 meters,add a signal amplifier if necessary

### Offline Controlling System Diagram



### Online Controlling System Diagram

