

**EXC-BC265BRL LED Flood Light**



Application Environment:  
Indoor  
Outdoor

**Description**

**EXC-BC265BRL Light tree lamp** are high power outdoor landscape flood lighting fixture with high strength aluminum alloy housing by EXC-LED. Each lighting fixture can be used for accent lighting or flood lighting, such as ancient buildings, landscape garden, etc.

**Features**

- The newest generation technology: DMX512 parallel bus design
- A new generation of structural waterproof design
- High strength aluminum and low thermal resistance path cooling design
- High reliability modularization design
- Adjustable angle 0 degree ~15 degree, glass surface tilt 5 degree design
- Outdoor lighting protection and electrostatic discharge (ESD) protection design
- Load safety design
- Projection distance: 1-5m

**Basic Specifications**

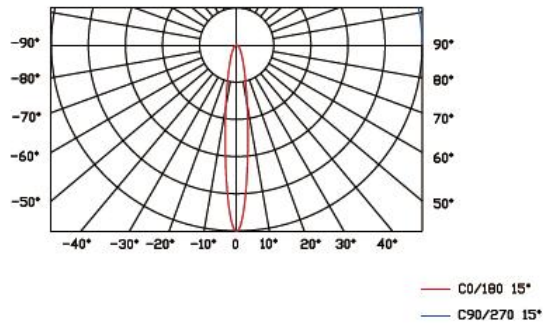
|                        |  |
|------------------------|--|
| Color Range            | W(2200K-6500K), R+G+B, RGBW, R+G+B+W                                   |
| Working Voltage        | DC 24V   |
| Max. Power Consumption | 72W(W, R+G+B, RGBW), 100W(R+G+B+W)                                     |
| Light Source           | 36(W, RGBW), 12+12+12(R+G+B), 12+12+12+12(R+G+B+W) PCS High Power LEDs |
| LED chip Brand         | Optional(Cree, OSRAM, Lumileds, Epistar, etc...)                       |
| CRI                    | 80   |
| Control                | DMX512, ON/OFF   |
| Source Life            | 50,000 h   |
| Housing                | High Strength Aluminum   |
| Cover                  | Tempered glass   |
| Weight                 | 6.64Kg   |
| Dimensions             | 265mm x 265mm x 342mm (L x W x H, exclude Mounting Bracket)            |

|                     |  |
|---------------------|--|
| Installation        | Installation with screws   |
| Working Temperature | -40°C to 600°C   |
| Storage Temperature | -40°C to 70°C  |
| Protection Rating   | IP66   |
| Efficiency flux     | 70LM/W(White), 25LM/W(R+G+B), 35LM/W(RGBW)   |
| Beam Angle          | W-3030P7: 10° /15° /20° /30° /45° /60° /80°<br>RGB-3030P7 /CREE XP Series:<br>6° /8° /10° /15° /20° /30° /45° /60° /80°<br>3535: 30° /45° /60° /80°<br>5050: 17° /20° /30° /45° /60° |

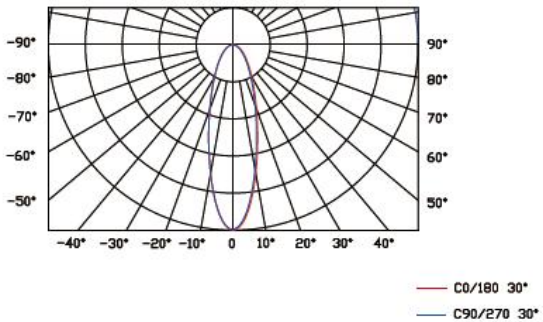
|                  |                               |
|------------------|-------------------------------|
| Host Controller  | EXC-5200                      |
| Slave Controller | EXC-2905T1                    |
| Signal Cable     | EXC-LED outdoor special cable |

### Light Intensity Distribution

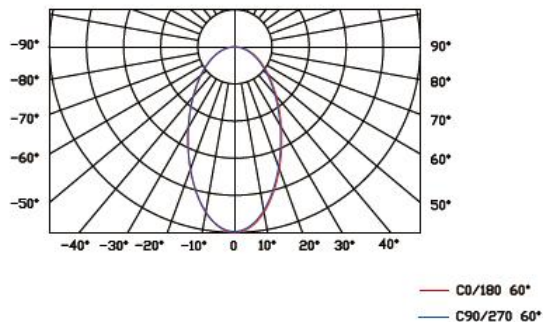
**15°  
Light Intensity Chart**



**30°  
Light Intensity Chart**

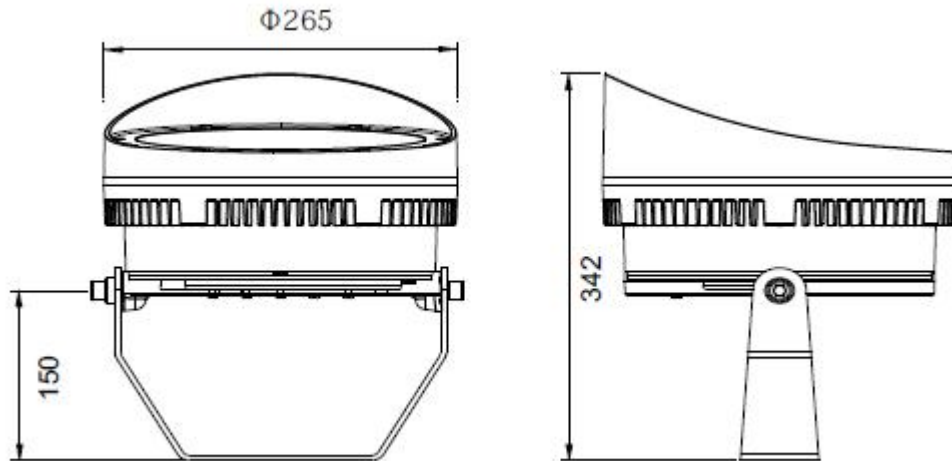


**60°  
Light Intensity Chart**



Physical Dimension

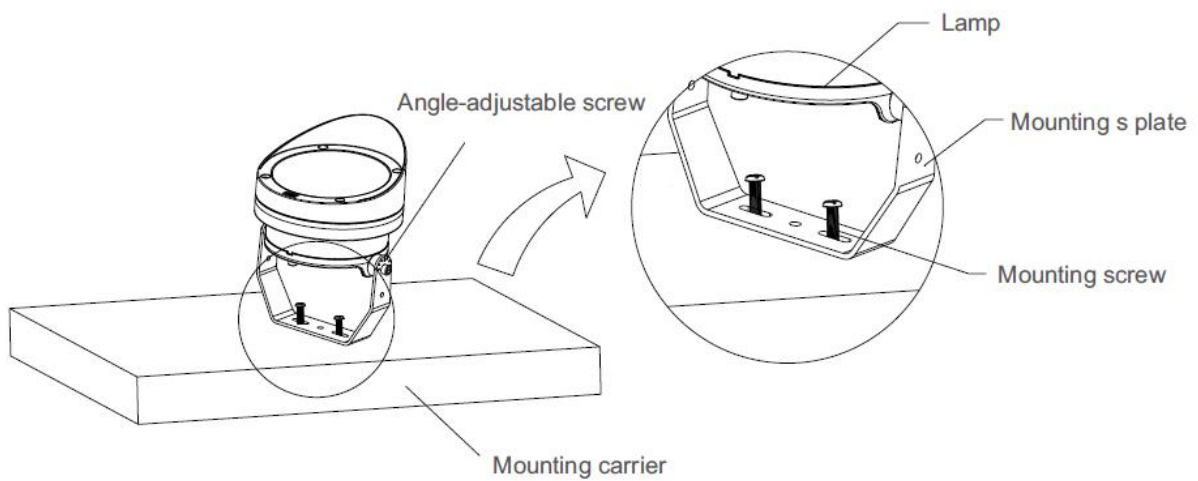
Unit: mm



Installation Diagram

Mounting bracket

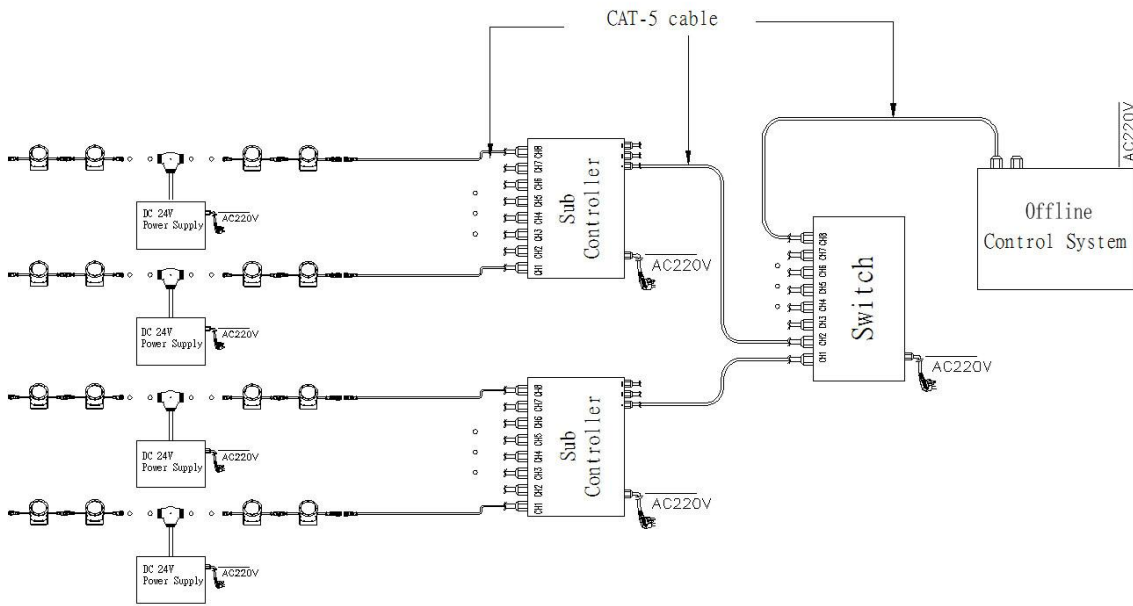
1. Use M5 screws to fix the lamp mounting bracket to the required position as shown in the figure. Lock the fixing screw of the mounting seat, adjust the angle of the lamp and then lock the connecting screws. Secure the installation.
2. Loosen the angle-adjustable screw, confirm the installation angle, and tighten the angle-adjustable screw.



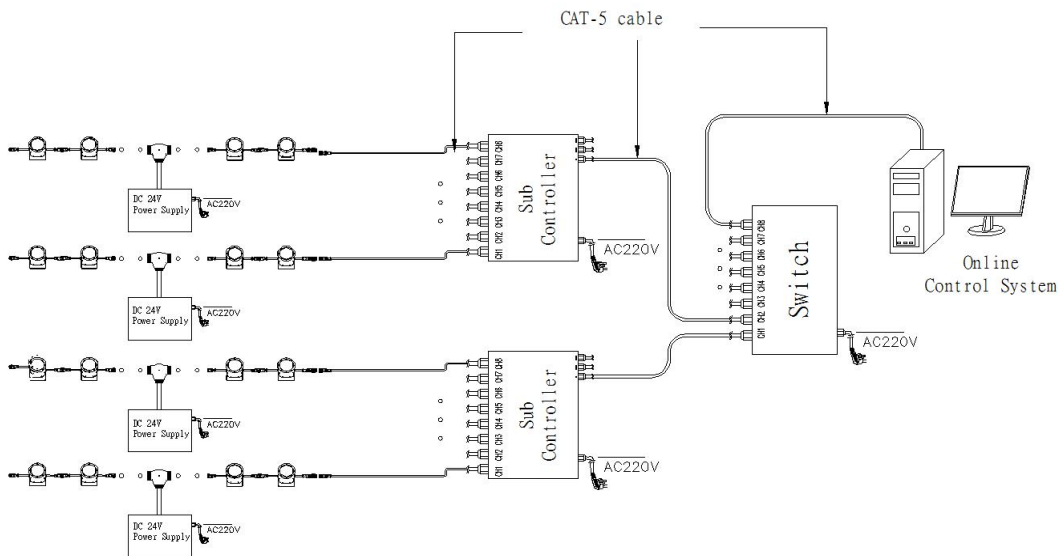
## System connection diagram:

- 1、 Host controller should connect with slave controller. Working voltage for controllers are AC220V.
- 2、 On-line main controller should connect with slave controller, on-line main controller and sub controller working voltage are AC220V.
- 3、 each sub-controller with 8 ports, with each port 512 pixels, supporting data converter, supports 100 meters ultra-long haul transmission.
- 4、 The CAT-5 e. cable distance should be within 100 meters between host controller and slave controller, between slave controllers and switch, etc.

## Offline Controlling System Diagram



## Online Controlling System Diagram

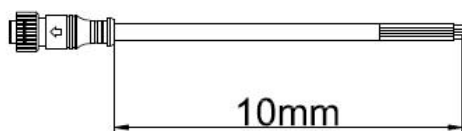




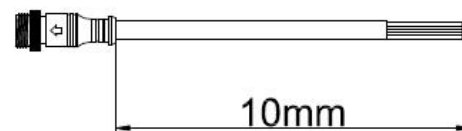
**Accessories :**

**1: Female and Male Connector( Connect to first dot light for signal transmission)**

Female Connector

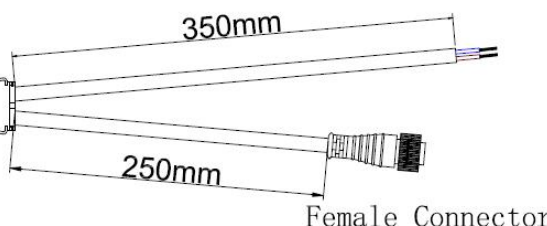
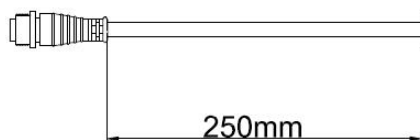


Male Connector



**2: Y Shape Connector(For power Distribution)**

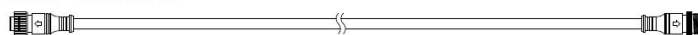
Male Connector



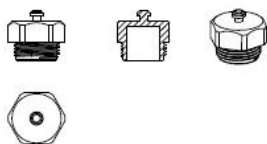
**3: Interconnection Cable(1.3M,3M,5M is standard length)**

Female Connector

Male Connector



**4: End Cap**



Male Connector



Male Connector