

EXC-B330BBH LED Flood Light



Application Environment:
Indoor
Outdoor

Description

EXC-B330BBH series consists of square full-color flood lights with high-strength aluminum-alloy housing specially designed by EXC for outdoor landscape lighting. It could be used for illumination in specific areas or landscape wash lighting, applicable on building facades, bridges, stages, etc.

Features

- The newest generation technology: DMX512 parallel bus design
- Patented comb convection heat dissipation design
- High strength aluminum and low thermal resistance path cooling design
- High reliability modularization design
- Outdoor lighting protection and electrostatic discharge (ESD) protection design
- Load safety design
- Projection distance: 30m

Basic Specifications

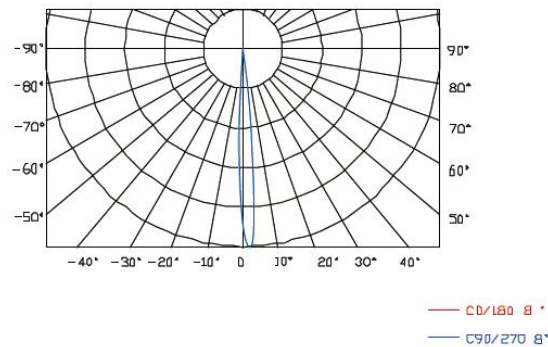
Color Range	W(2200K-6500K), R+G+B, R+G+B+W, RGBW
Working Voltage	AC220V
Max. Power Consumption	72W/100W/120W/150W/180W/200W
Light Source	36/48/60PCS High Power LEDs
LED chip Brand	Optional(Cree, OSRAM, Lumileds, Epistar, etc...)
CRI	80
Control	DMX512, ON/OFF
Source Life	50,000 h
Housing	High Strength Aluminum
Cover	Tempered glass
Weight	8.99Kg
Dimensions	330mm x 235mm x 131mm (L x W x H, exclude Mounting Bracket)

Installation	Installation with screws
Working Temperature	-40°C to 60°C
Storage Temperature	-40°C to 70°C
Protection Rating	IP66
Efficiency flux	≥60LM/W(White), ≥40LM/W(RGBW), ≥30LM/W(RGB)
Beam Angle	W-3030P7: 8° /10° /15° /20° /30° /45° /60° /80° RGB-3030P7/CREE XP series: 6° /8° /10° /15° 20° /30° /45° /60° /80° 3535:30° /45° /60° /80° 5050: 17° /20° /30° /45° /60°

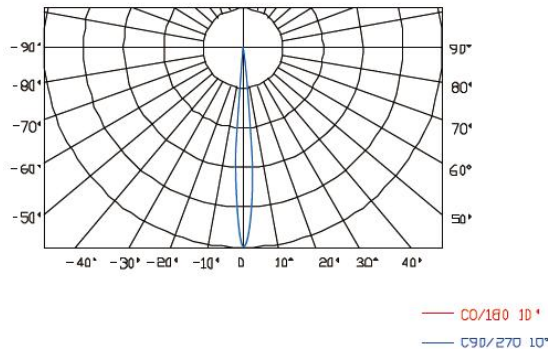
Host Controller	EXC-5200
Slave Controller	EXC-2905T1
Signal Cable	EXC-LED outdoor special cable

Light Intensity Distribution

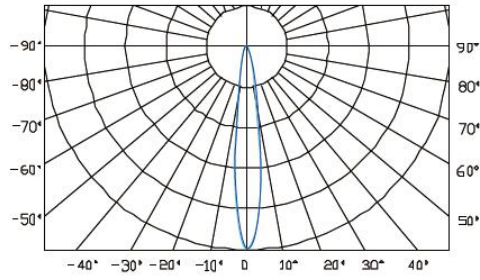
8°
Light Intensity Chart



10°
Light Intensity Chart



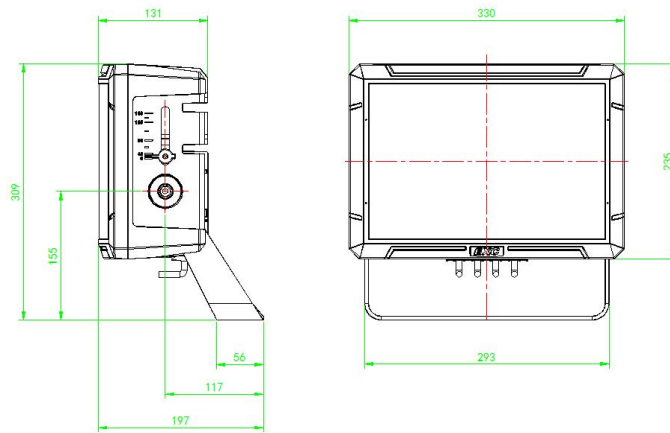
**15°
Light Intensity Chart**



— CO/180 15°
— C90/270 15°

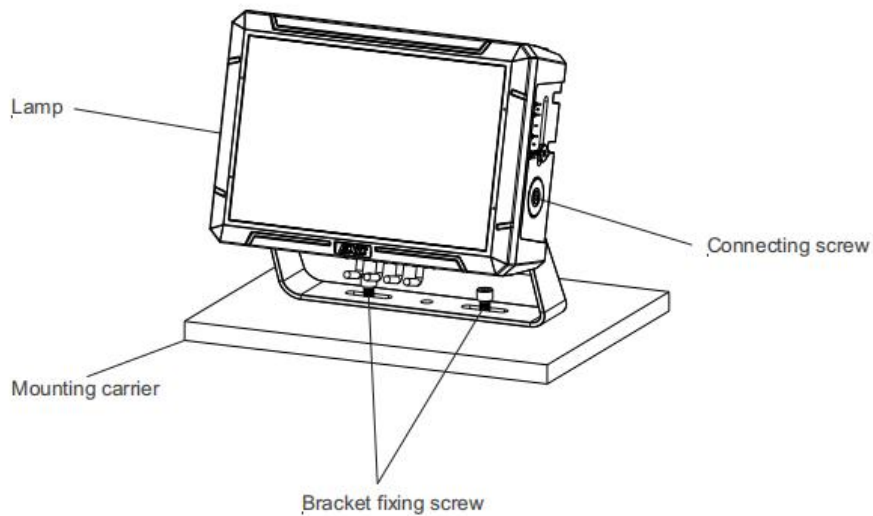
Physical Dimension

Unit: mm



Installation Diagram

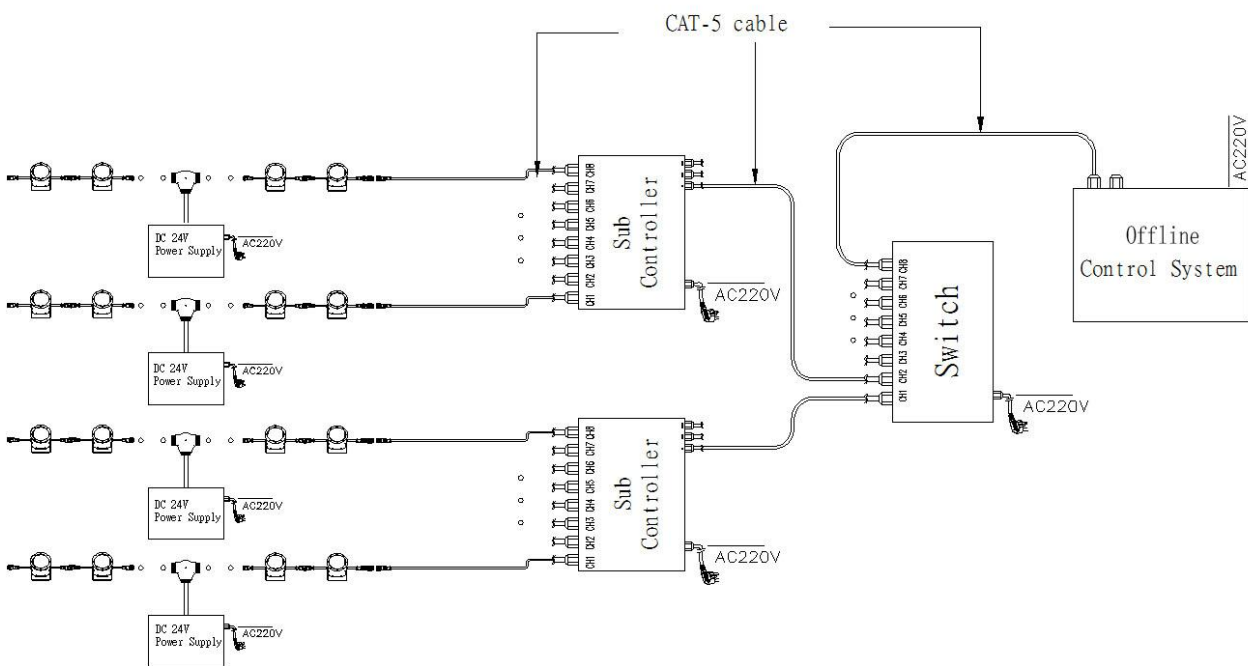
Use 2×M10 screws to fix the lamp to the required position as shown in the figure. After the lamp is firmly installed, adjust the angle of the lamp according to actual needs and then lock the connecting screws.



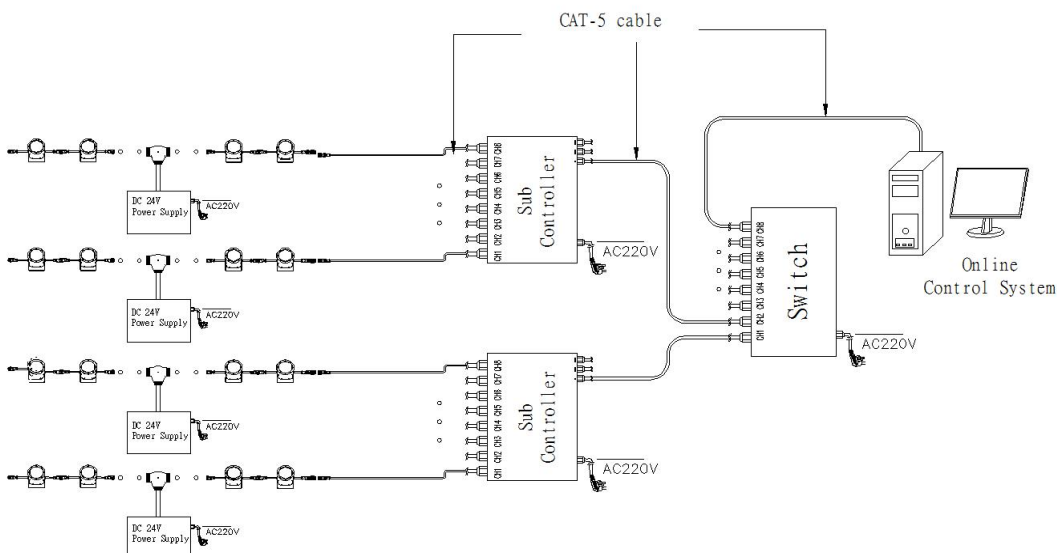
System connection diagram:

- 1、 Host controller should connect with slave controller. Working voltage for controllers are AC220V.
- 2、 On-line main controller should connect with slave controller, on-line main controller and sub controller working voltage are AC220V.
- 3、 each sub-controller with 8 ports, with each port 512 pixels, supporting data converter, supports 100 meters ultra-long haul transmission.
- 4、 The CAT-5 e. cable distance should be within 100 meters between host controller and slave controller, between slave controllers and switch, etc.

Offline Controlling System Diagram



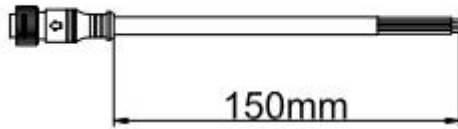
Online Controlling System Diagram



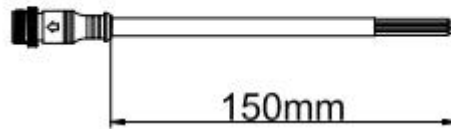
Accessories :

1: Female and Male Connector(Connect to first dot light for signal transmission)

Female Connector

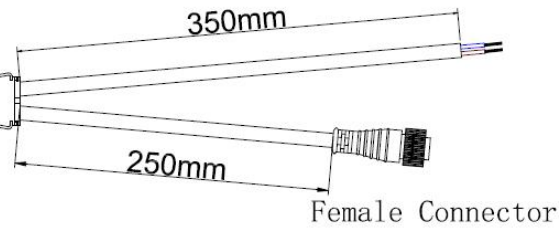
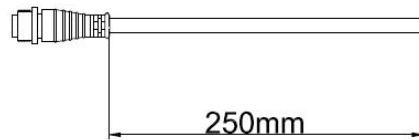


Male Connector



2: Y Shape Connector(For power Distribution)

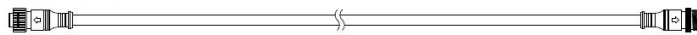
Male Connector



Female Connector

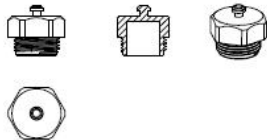
3: Interconnection Cable(1.3M,3M,5M is standard length)

Female Connector

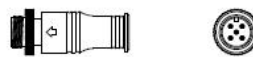


Male Connector

4: End Cap



Male Connector



Male Connector