

EXC-B200BBH LED flood light



Application Environment:
Indoor
Outdoor

Description

EXC-B200BBH project-light lamp series products are specially designed for outdoor landscape lighting design of a high strength aluminum alloy shell, bar monochromatic high-power extremely lamp; Can be used for specific lighting area or landscape projection light column, applied to the building high elevation, cylinder face and so on; The projection is high and the effect is outstanding.

Features

- Unique humanized anti-glare cutting light design, built-in cylindrical anti-glare grating optical device
- Unique lens design, can achieve ultra narrow, ultra far, ultra bright and other special effect requirements
- Low thermal resistance path cooling design
- Innovative pressure balance waterproof design, protection grade IP66
- Lightning and ESD protection

Basic Specifications

Color Range	RGBW/RGB/W
Light Source	SMD R/G/B/W LED
Source Life	35,000h
Material	High Strength Aluminum housing / tempered glass
Weight	24.8Kg

Environmental Specifications

Working Temperature	-40°C to 50°C
Storage Temperature	-40°C to 70°C
Protection Rating	IP66

Electrical Specifications

Working Voltage	AC220V
Max. Power Consumption	600W

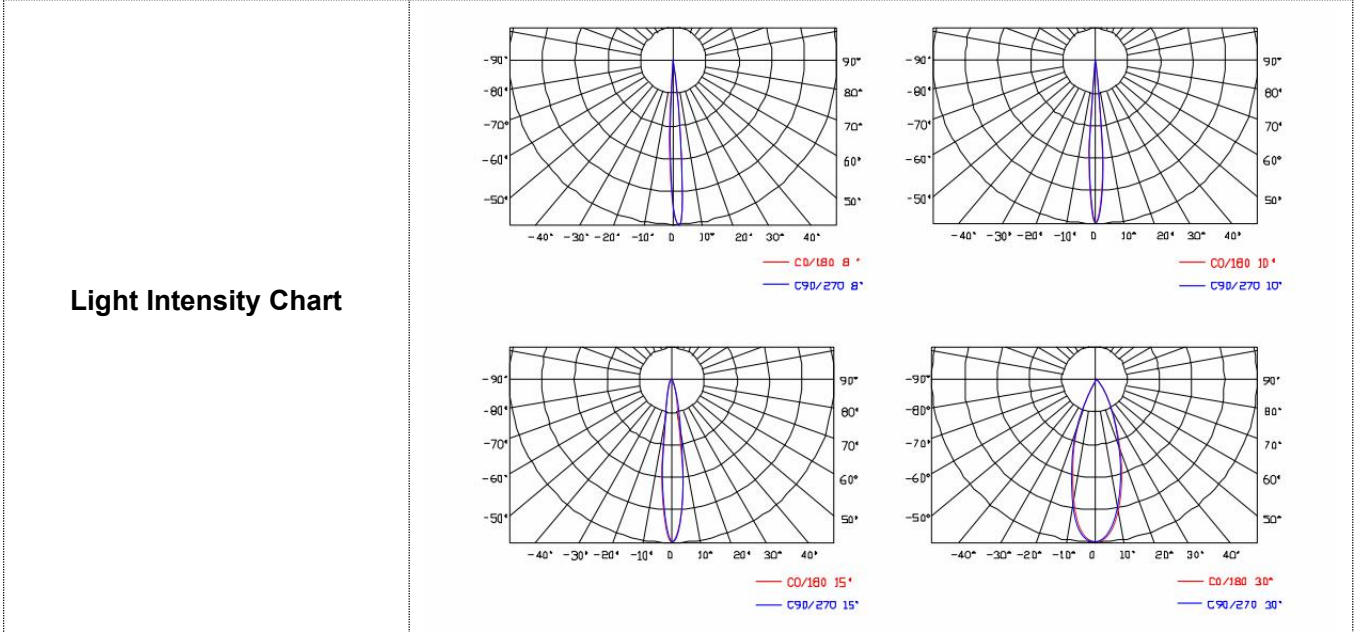
Optical Specifications

Beam Angle	XPE2:3° XPG: 5° W-3030P7: 10° /15° /20° /30° /45° /60° /80°
------------	---

RGB-3030P7/CREE XP: 6° / 8° / 10° / 15° / 20° / 30° / 45° / 60° / 80° 3535: 30° / 45° / 60° / 80° 5050: 17° / 20° / 30° / 45° / 60°

Controller	
Host Controller	EXC-Y220、EXC-Y880、EXC-M520、EXC-5200、EXC-6000、EXC-8000、EXC-10000
Slave Controller	EXC-2905、EXC-S880

Light Intensity Distribution

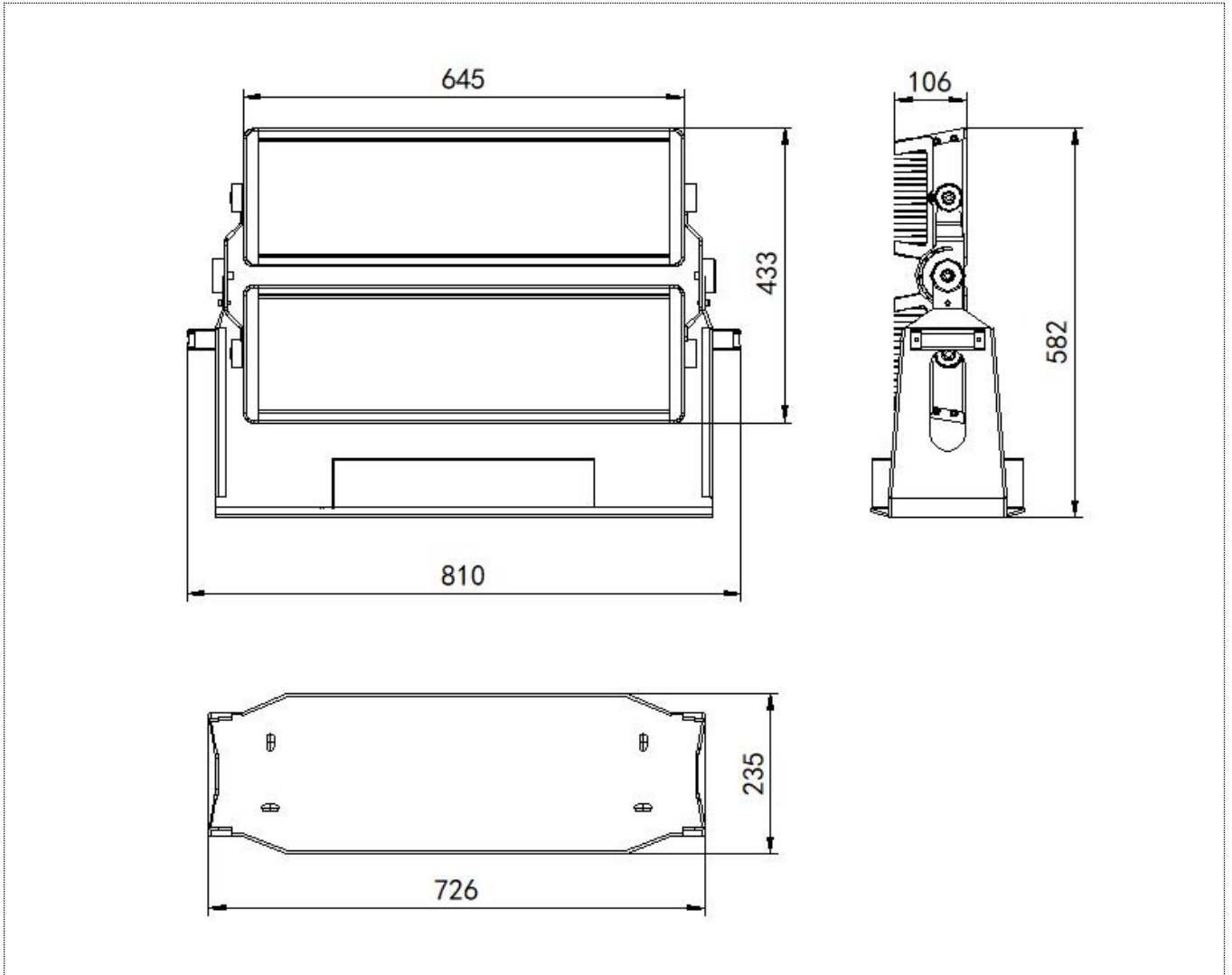


Order Info

Model	Voltage	Watt	LED Source	Control Protocol	Grey Scale	Material	LM/W	LED Brand
EXC-B200BBH	AC220V	480W	120*2pcs RGBW	DMX512	256/65536	Aluminum tempered lass	≥40lm/w	Optional
EXC-B200BBH	AC220V	600W	(30R+30G+30B+30W) *2	DMX512	256/65536	Aluminum tempered	≥35lm/w	Optional
EXC-B200BBH	AC220V	600W	(40R+40G+40B) *2	DMX512	256/65536	Aluminum tempered	≥30lm/w	Optional
EXC-B200BBH	AC220V	480W	120*2pcs W	ON/OFF	/	Aluminum tempered	≥65lm/w	Optional
EXC-B200BBH	AC220V	480W	60*2pcsW	ON/OFF	/	Aluminum tempered	≥65lm/w	Optional
EXC-B200BBH	AC220V	360W	60*2pcsW	ON/OFF	/	Aluminum tempered	≥65lm/w	Optional

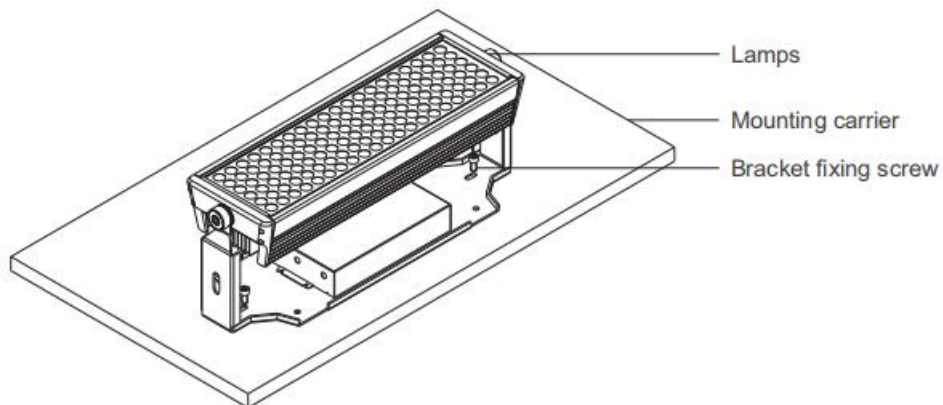
Physical Dimension

单位: mm Unit: mm



Installation Diagram

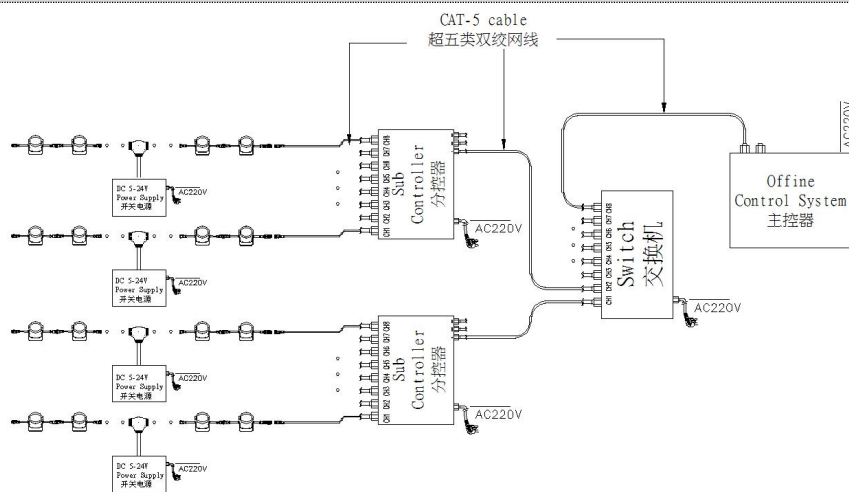
Use 4 M10 screws to fix the lamp to the required position as shown in the figure. After the installation is firm, adjust the angle of the lamp according to actual needs and then tighten the connecting screws.



System connection diagram:

- 1、 Host controller should connect with slave controller. Working voltage for controllers are AC220V.
- 2、 On-line main controller should connect with slave controller, on-line main controller and sub controller working voltage are AC220V.
- 3、 each sub-controller with 8 ports, with each port 512 pixels, supporting data converter, supports 100 meters ultra-long haul transmission.
- 4、 The CAT-5 e. cable distance should be within 100 meters between host controller and slave controller, between slave controllers and switch, etc.
- 5、 the maximum spacing of not more than 5 meters, more than the need to add a signal amplifier.

Offline Controlling System Diagram



Online Controlling System Diagram

