

EXC-B200ABH投光灯LED flood light



应用环境:

Application Environment:

室内 Indoor

室外 Outdoor

产品描述: Description

EXC-B200ABH投光灯系列产品是爱克莱特专为户外景观照明设计的一款高强度铝合金外壳,条形大功率投光灯;可用于特定照明区域或景观投射光柱,应用于建筑物高立面、柱面等;投射高度高,效果出众。

EXC-B200ABH project-light lamp series products are specially designed for outdoor landscape lighting design of a high strength aluminum alloy shell, bar monochromatic high-power extremely lamp; Can be used for specific lighting area or landscape projection light column, applied to the building high elevation, cylinder face and so on; The projection is high and the effect is outstanding.

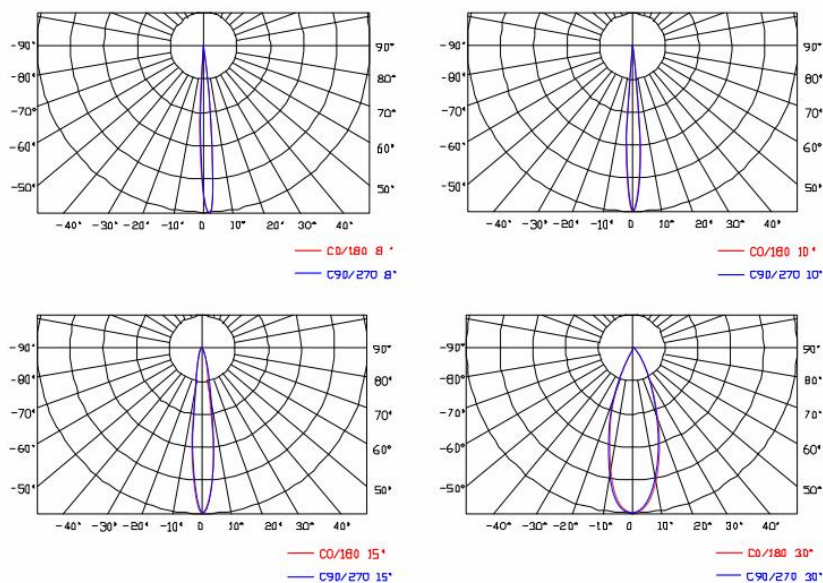
产品特点: Features

- 独特的人性化防眩光截光设计, 内置筒式防眩光格栅光学器件
- Unique humanized anti-glare cutting light design, built-in cylindrical anti-glare grating optical device
- 独特的透镜设计, 可实现超窄、超远、超亮等特殊效果要求
- Unique lens design, can achieve ultra narrow, ultra far, ultra bright and other special effect requirements
- 低热阻路径散热设计
- Low thermal resistance path cooling design
- 创新的压力平衡防水设计, 防护等级IP66
- Innovative pressure balance waterproof design, protection grade IP66
- 户外防雷及静电(ESD)专用防护设计
- Lightning and ESD protection

基本参数Basic Specifications	
色彩Color Range	RGBW/RGB/W
光源Light Source	SMD R/G/B/W LED
寿命 Source Life	35,000h
材质Material	高强度铝合金/钢化玻璃 High Strength Aluminum housing / tempered glass
重量Weight	约9Kg
工作条件Environmental Specifications	
工作温度Working Temperature	-40° C至50° C -40° C to 50° C
储存温度Storage Temperature	-40° C至70° C -40° C to 70° C
防护等级Protection Rating	IP66
电气参数 Electrical Specifications	
工作电压Working Voltage	AC220V
最大功率Max. Power Consumption	200W
光学参数 Optical Specifications	
光束角Beam Angle	XPE2:3° 凸透镜 (光效好, 能效低) XPG: 5° W-3030P7: 10° /15° /20° /30° /45° /60° /80° RGB-3030P7/CREE XP系列: 6° /8° /10° /15° /20° /30° /45° /60° /80° 3535: 30° /45° /60° /80° 5050: 17° /20° /30° /45° /60°
控制器Controller	
主控制器Host Controller	EXC-Y220 系列、EXC-Y880 系列、EXC-M520 系列、EXC-5200 系列、EXC-6000 系列、EXC-8000 系列、EXC-10000 系列
分控制器Slave Controller	EXC-2905、EXC-S880

配光曲线 Light Intensity Distribution

光强分布图
Light Intensity Chart



可提供型号 Order Info

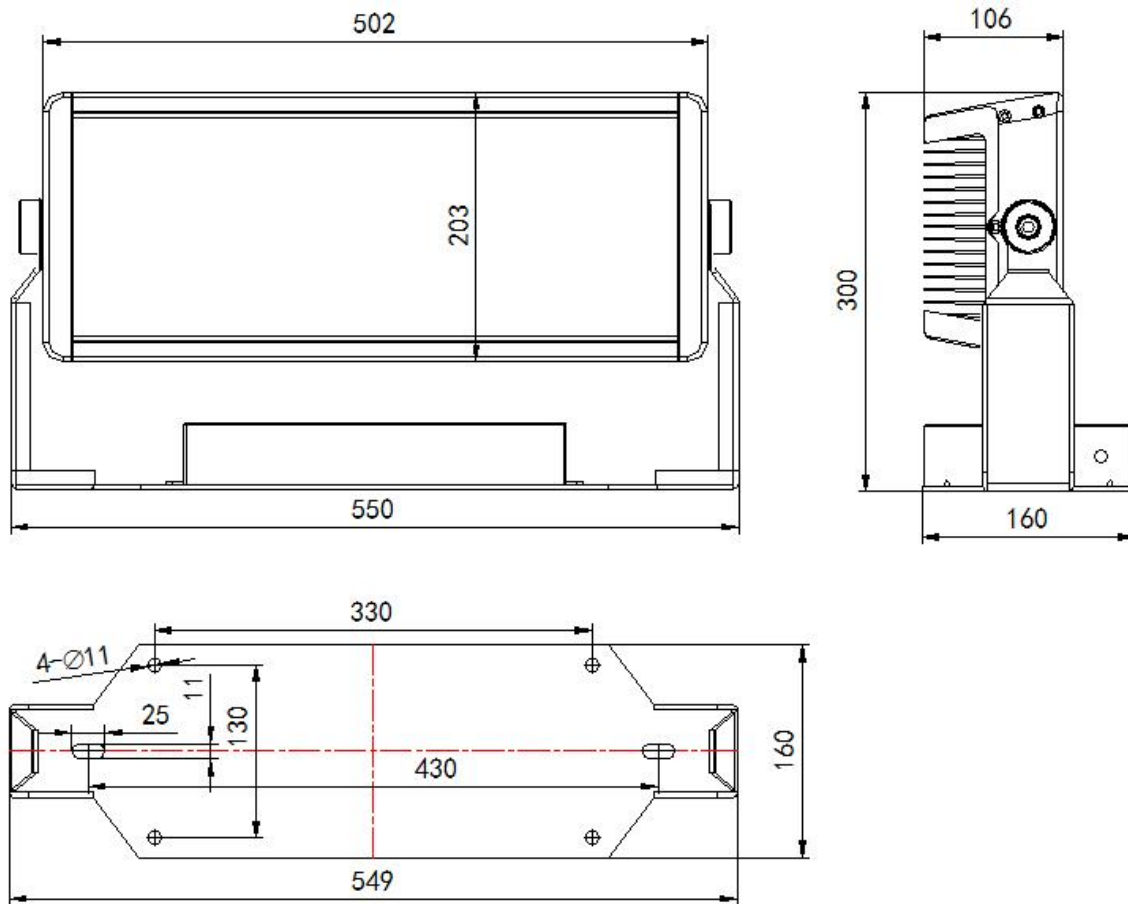
产品型号	工作电压	功率	光源	控制协议	灰度级别	材质	能效值	灯珠品牌
EXC-B200ABH	AC220V	180W	90 颗 RGBW	DMX512	256/ 65536	铝壳+玻璃	≥40lm/w	可选
EXC-B200ABH	AC220V	200W	24R+24G+18B+2 4W	DMX512	256/ 65536	铝壳+玻璃	≥35lm/w	可选
EXC-B200ABH	AC220V	200W	30R+30G+30B	DMX512	256/ 65536	铝壳+玻璃	≥30lm/w	可选
EXC-B200ABH	AC220V	180W	90 颗 W	常亮	/	铝壳+玻璃	≥65lm/w	可选
EXC-B200ABH	AC220V	180W	42 颗 W	常亮	/	铝壳+玻璃	≥65lm/w	可选
EXC-B200ABH	AC220V	120W	42 颗 W	常亮	/	铝壳+玻璃	≥65lm/w	可选

注 1:灯珠品牌: CREE/OSRAM/LUMILEDS/台系/国产可选

注 2: 以上光学参数>2700K, CREE/OSRAM/LUMILEDS 芯片为参照

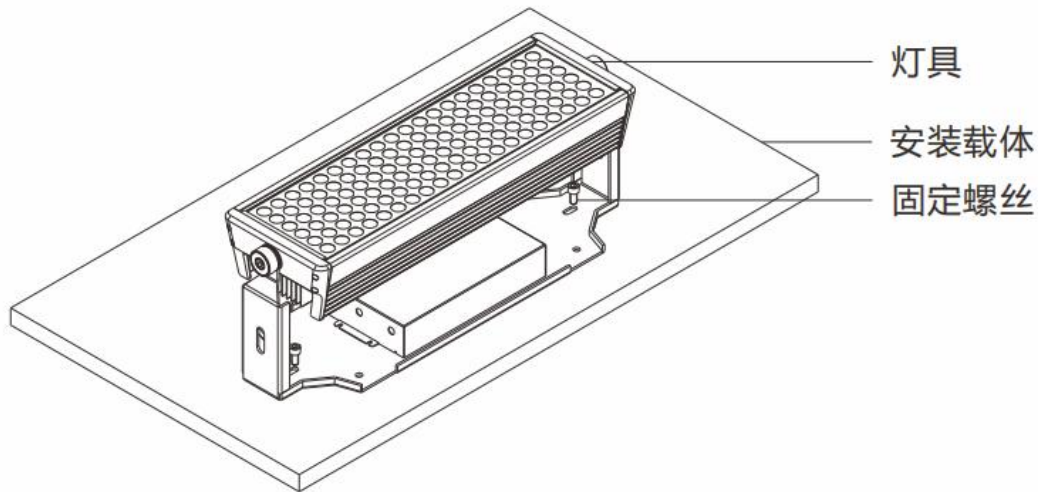
产品尺寸图: Physical Dimension

单位: mm Unit: mm



安装示意图: Installation Diagram

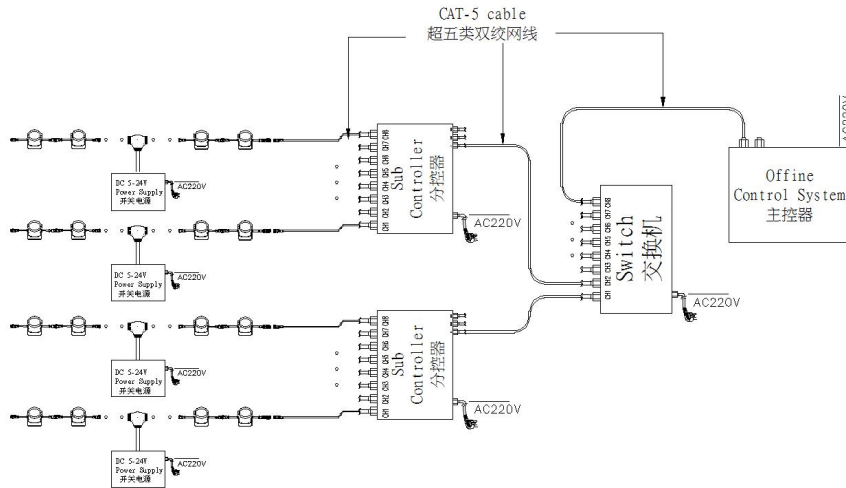
选用4颗M10螺丝按如图方式将灯具固定到需求位置，安装牢固后，根据实际需要调节好灯具的角度后锁紧连接螺丝。



系统连线图: System connection diagram:

- 1、主控器配套分控器使用，主控、分控工作电压AC220V。
 - 2、联机主控配套分控器使用，联机主控、分控工作电压AC220V。
 - 3、每台分控器带8端口，每端口可带512像素点，采用超五类双绞线连接支持100米超长距离传输。
 - 4、主控与交换机之间，交换机与交换机之间、分控与分控之间采用超五类双绞线连接，每段最大距离不超过100米；
 - 5、灯具点间距最大不超过5米，超过需加信号放大器。
- 1、Host controller should connect with slave controller. Working voltage for controllers are AC220V.
 - 2、On-line main controller should connect with slave controller, on-line main controller and sub controller working voltage are AC220V.
 - 3、each sub-controller with 8 ports, with each port 512 pixels, supporting data converter, supports 100 meters ultra-long haul transmission.
 - 4、The CAT-5 e. cable distance should be within 100 meters between host controller and slave controller, between slave controllers and switch, etc.
 - 5、the maximum spacing of not more than 5 meters, more than the need to add a signal amplifier.

脱机控制 Offline Controlling System Diagram



联机系统图: Online Controlling System Diagram

