

EXC-B200ABH ED flood light



Application Environment:
Indoor
Outdoor

Description

EXC-B200ABH project-light lamp series products are specially designed for outdoor landscape lighting design of a high strength aluminum alloy shell, bar monochromatic high-power extremely lamp; Can be used for specific lighting area or landscape projection light column, applied to the building high elevation, cylinder face and so on; The projection is high and the effect is outstanding.

Features

- Unique humanized anti-glare cutting light design, built-in cylindrical anti-glare grating optical device
- Unique lens design, can achieve ultra narrow, ultra far, ultra bright and other special effect requirements
- Low thermal resistance path cooling design
- IP66
- Innovative pressure balance waterproof design, protection grade IP66
- Lightning and ESD protection

Basic Specifications

Color Range	RGBW/RGB/W
Light Source	SMD R/G/B/W LED
Source Life	35,000h
Material	High Strength Aluminum housing / tempered glass
Weight	6.5Kg

Environmental Specifications

Working Temperature	-40°C to 50°C
Storage Temperature	-40°C to 70°C
Protection Rating	IP66

Electrical Specifications

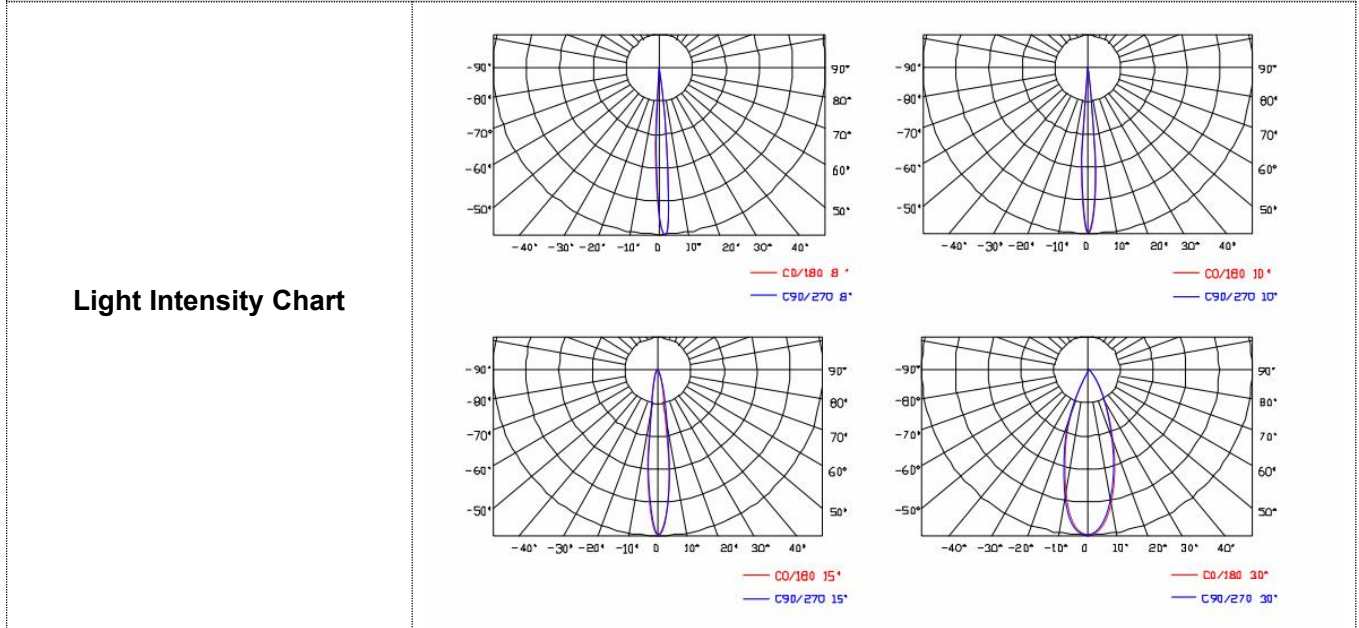
Working Voltage	AC220V
Max. Power Consumption	100W

Optical Specifications

Beam Angle	CREE XP: 6° /8° /10° /15° /20° /30° /45° /60° /80°
------------	--

Controller	
Host Controller	EXC-Y220、EXC-Y880、EXC-M520、EXC-5200、EXC-6000 系列、EXC-8000、EXC-10000
Slave Controller	EXC-2905、EXC-S880

Light Intensity Distribution

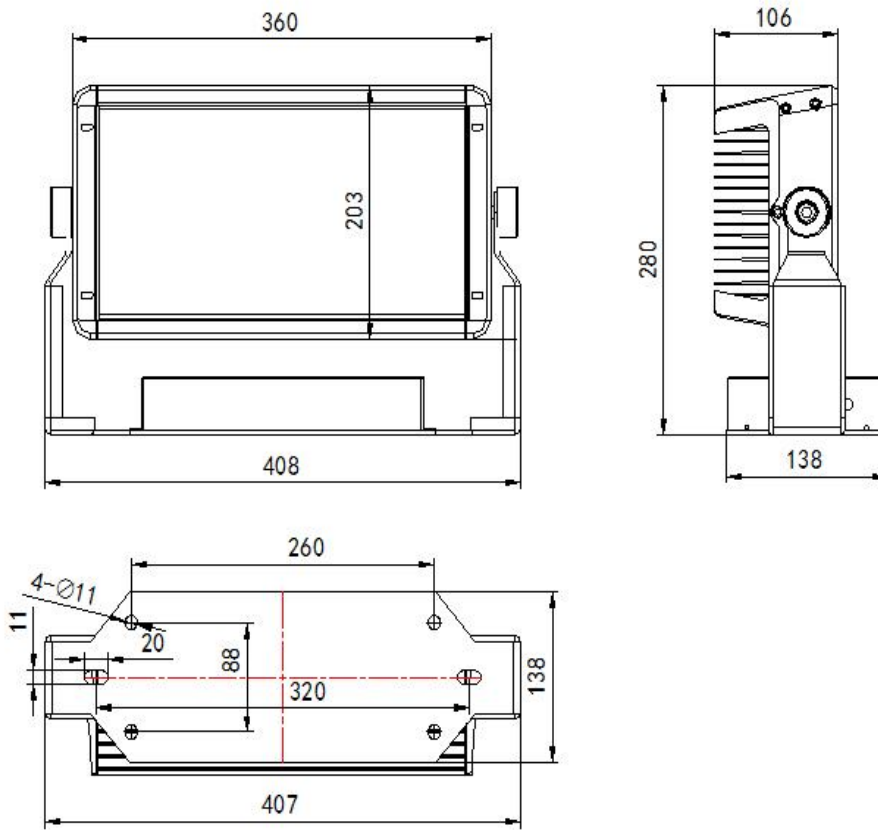


Order Info								
Product Code	Voltage	Watt	Light Source	Protocol	Grey Scale	Material	Lux	LED Diodes
EXC-B200ABH	AC220V	120W	60pcs RGBW	DMX512	256/65536	Aluminum+ Tempered Glass	≥40lm/w	Optional
EXC-B200ABH	AC220V	120W	15R+15G+15B+15W	DMX512	256/65536	Aluminum+ Tempered Glass	≥35lm/w	Optional
EXC-B200ABH	AC220V	120W	20R+20G+20B	DMX512	256/65536	Aluminum+ Tempered Glass	≥30lm/w	Optional
EXC-B200ABH	AC220V	100W	60pcsW	ON/OFF	/	Aluminum+ Tempered Glass	≥65lm/w	Optional
EXC-B200ABH	AC220V	120W	24pcsW	ON/OFF	/	Aluminum+ Tempered Glass	≥65lm/w	Optional

EXC-B200ABH	AC220V	72W	24pcsW	ON/OFF	/	Aluminum+ Tempered Glass	≥65lm/w	Optional
-------------	--------	-----	--------	--------	---	--------------------------------	---------	----------

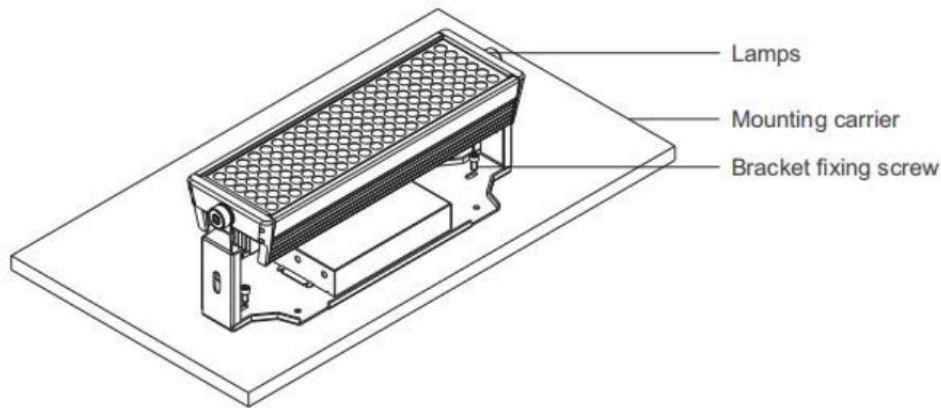
Physical Dimension

Unit: mm



Installation Diagram

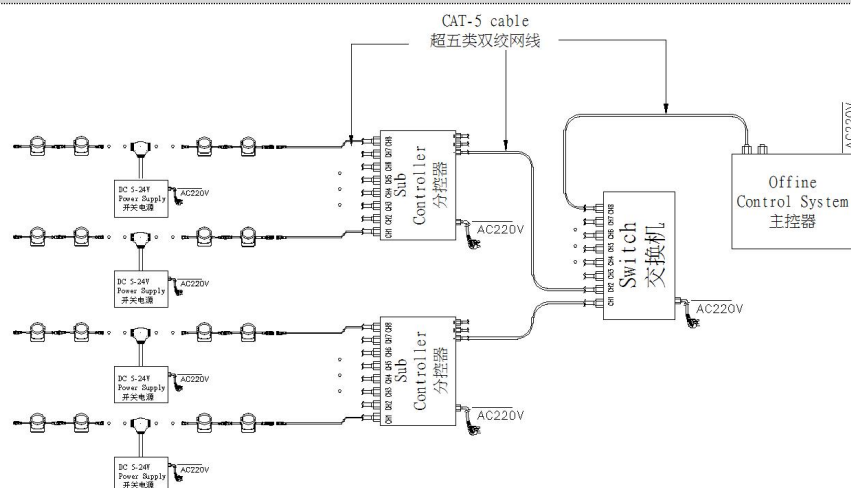
Use 4 M10 screws to fix the lamp to the required position as shown in the figure. After the installation is firm, adjust the angle of the lamp according to actual needs and then tighten the connecting screws.



System connection diagram:

- 1、 Host controller should connect with slave controller. Working voltage for controllers are AC220V.
- 2、 On-line main controller should connect with slave controller, on-line main controller and sub controller working voltage are AC220V.
- 3、 each sub-controller with 8 ports, with each port 512 pixels, supporting data converter, supports 100 meters ultra-long haul transmission.
- 4、 The CAT-5 e. cable distance should be within 100 meters between host controller and slave controller, between slave controllers and switch, etc.

Offline Controlling System Diagram



Online Controlling System Diagram

