

EXC-B200ABH LED flood light



Application Environment:

Indoor
Outdoor

Product Description

EXC-B200ABH project-light lamp series products are specially designed for outdoor landscape lighting design of a high strength aluminum alloy shell, bar monochromatic high-power extremely lamp; Can be used for specific lighting area or landscape projection light column, applied to the building high elevation, cylinder face and so on; The projection is high and the effect is outstanding.

Features

- Unique humanized anti-glare cutting light design, built-in cylindrical anti-glare grating optical device
- Unique lens design, can achieve ultra narrow, ultra far, ultra bright and other special effect requirements
- Low thermal resistance path cooling design
- Innovative pressure balance waterproof design, protection grade IP66
- Lightning and ESD protection

Basic Specifications

Color Range	RGBW/RGB/W
Light Source	SMD R/G/B/W LED
Source Life	35,000h
Material	High Strength Aluminum housing / tempered glass
Weight	13.0Kg

Environmental Specifications

Working Temperature	-40°C to 50°C
Storage Temperature	-40°C to 70°C
Protection Rating	IP66

Electrical Specifications

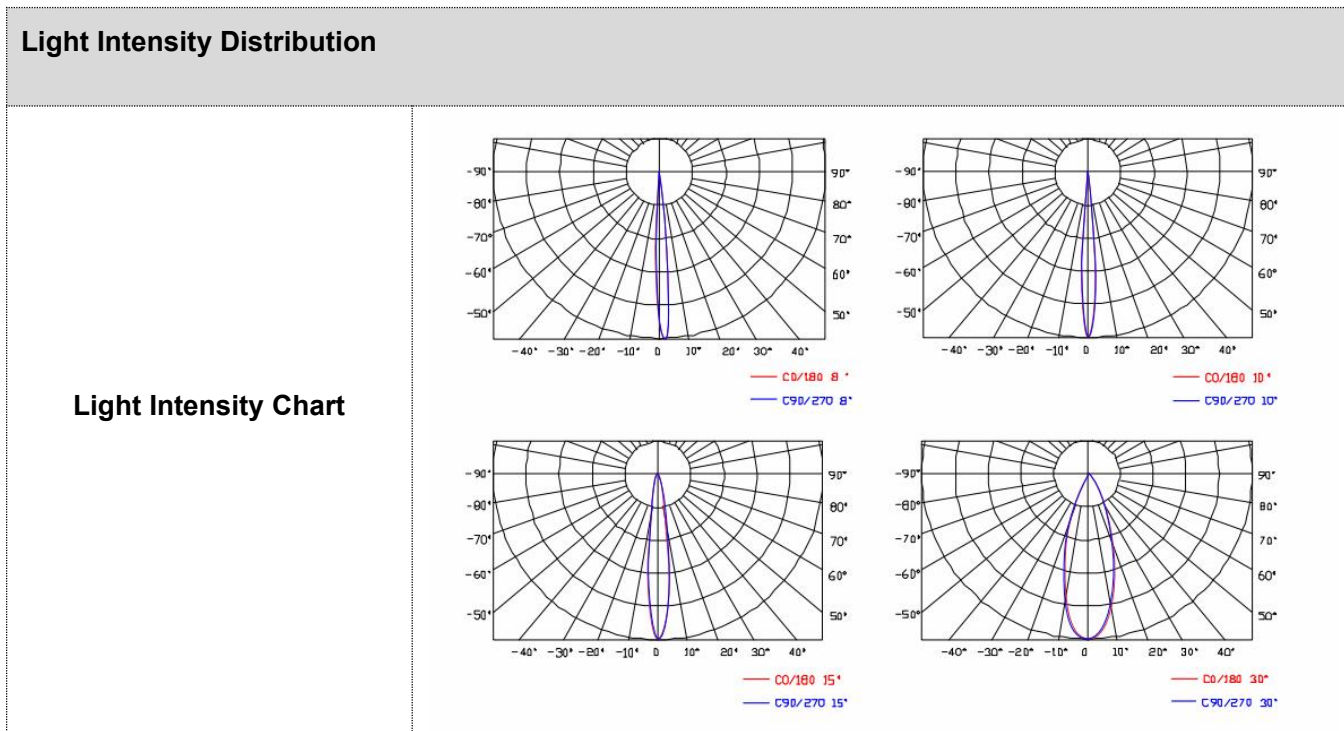
Working Voltage	AC220V
Max. Power Consumption	300W

Optical Specifications

Light Intensity	/
Beam Angle	XPE2:3° XPG: 5°

W-3030P7: 10° /15° /20° /30° /45° /60° /80° RGB-3030P7/CREE XP: 6° /8° /10° /15° /20° /30° /45° /60° /80° 3535: 30° /45° /60° /80° 5050: 17° /20° /30° /45° /60°

Controller	
Host Controller	EXC-Y220、EXC-Y880、EXC-M520、EXC-5200、EXC-6000、EXC-8000、EXC-10000
Slave Controller	EXC-2905、EXC-S880

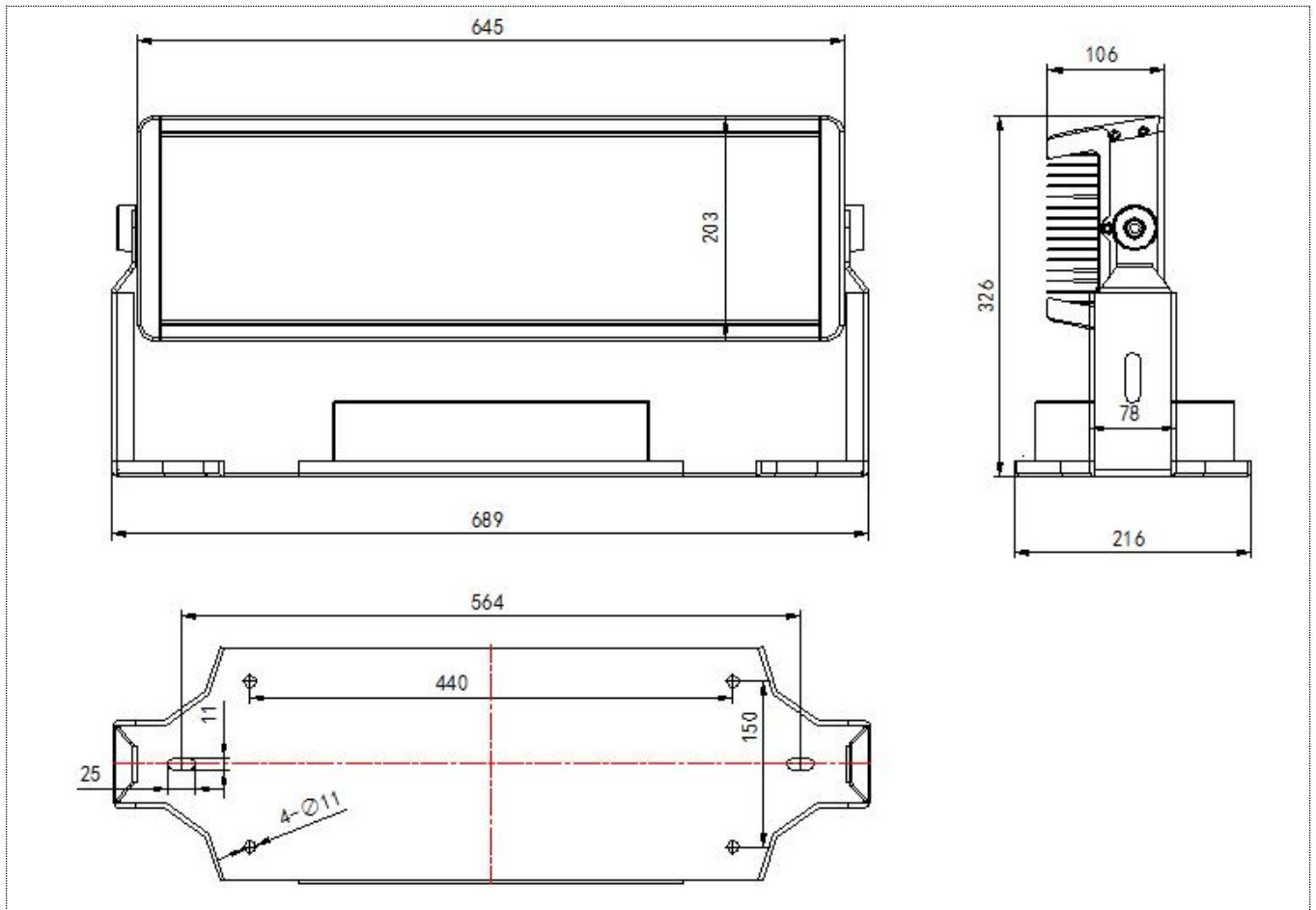


Order Info

Code	Working Voltage	Wattage	Light Source	Control Protocol	Grey Scale	Material	Flux	Led Brand
EXC-B200ABH	AC220V	240W	120pcsRGBW	DMX512	256/65536	Aluminum+Tempered Glas	≥40lm/w	Optional to choose
EXC-B200ABH	AC220V	300W	30R+30G+30B+30W	DMX512	256/65536		≥35lm/w	
EXC-B200ABH	AC220V	300W	40R+40G+40B	DMX512	256/65536		≥30lm/w	
EXC-B200ABH	AC220V	240W	120pcsW	ON/OFF	/		≥65lm/w	
EXC-B200ABH	AC220V	240W	60pc W	ON/OFF	/		≥65lm/w	
EXC-B200ABH	AC220V	180W	60pc W	ON/OFF	/		≥65lm/w	

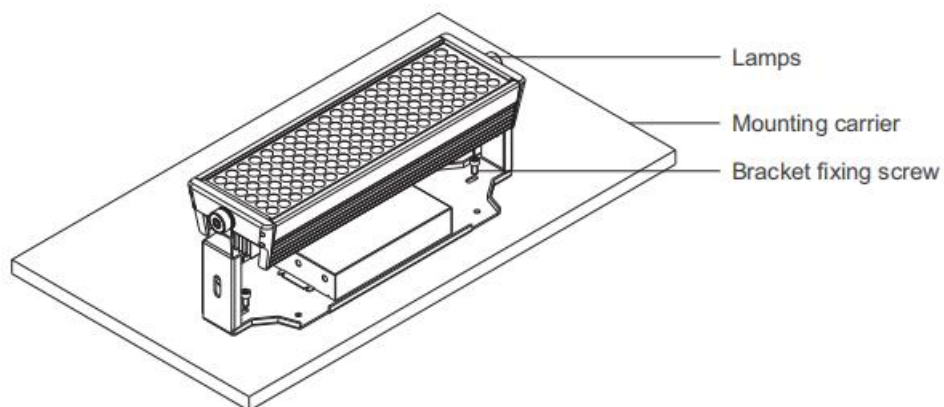
Physical Dimension

Unit: mm



Installation Diagram

Use 4 M10 screws to fix the lamp to the required position as shown in the figure. After the installation is firm, adjust the angle of the lamp according to actual needs and then tighten the connecting screws.



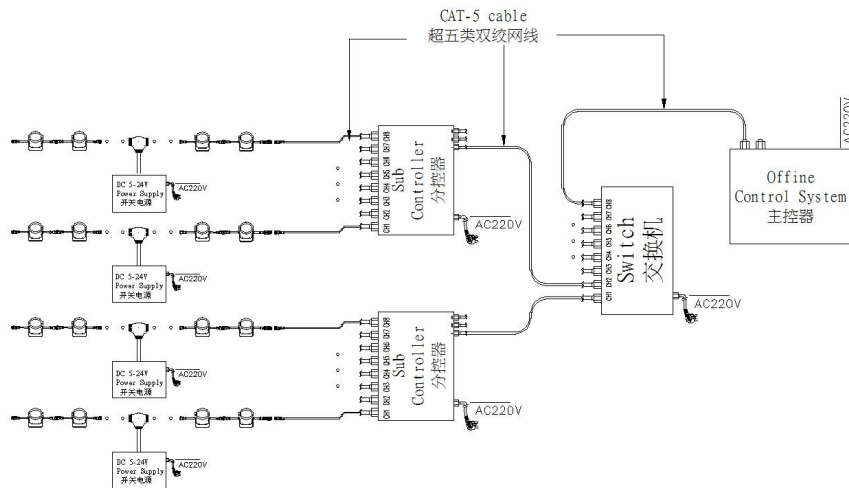
System connection diagram:

- 1、Host controller should connect with slave controller. Working voltage for controllers are AC220V.
- 2、On-line main controller should connect with slave controller, on-line main controller and sub controller

working voltage are AC220V.

- 3、each sub-controller with 8 ports, with each port 512 pixels, supporting data converter, supports 100 meters ultra-long haul transmission.
- 4、The CAT-5 e. cable distance should be within 100 meters between host controller and slave controller, between slave controllers and switch, etc.
- 5、the maximum spacing of not more than 5 meters, more than the need to add a signal amplifier.

Offline Controlling System Diagram



Online Controlling System Diagram

