

**EXC-B125BBL LED Flood Light**



Application Environment:  
Indoor  
Outdoor

**Description**

**EXC-B125BBL full color series** are high power outdoor landscape flood lighting fixture with high strength aluminum alloy housing by EXC-LED. Each lighting fixture is a separate lighting pixel, and each pixel can realize 8bit/16bit grades gray scale changing. Each lighting fixture can be used for accent lighting or flood lighting, such as building facade, bridge, stage, etc.

**Features**

- The newest generation technology: DMX512 parallel bus design
- High strength aluminum and low thermal resistance path cooling design
- High reliability modularization design
- Outdoor lighting protection and electrostatic discharge (ESD) protection design
- Load safety design
- Projection distance: 3-5m

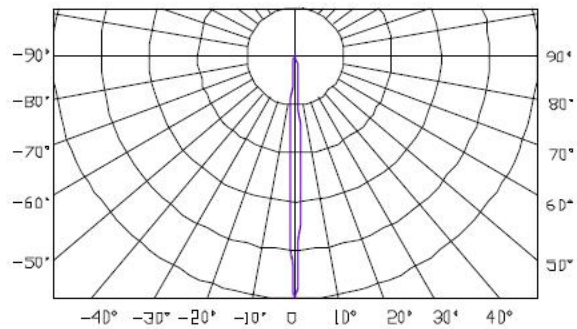
Basic Specifications	
Color Range	W, RGB, RGBW
Working Voltage	DC 24V
Max. Power Consumption	12W/18W
Light Source	6 PCS High Power LEDs
LED chip Brand	Optional(Cree, OSRAM, Lumileds, Epistar, etc...)
CRI	80
Control	DMX512, ON/OFF
Source Life	50,000 h
Housing	High Strength Aluminum
Cover	Tempered glass
Weight	1.09Kg

Dimensions	125mm x 95mm x 51mm (L x W x H, exclude Mounting Bracket)
Installation	Installation with screws or adhesive
Working Temperature	-40°C to 60°C
Storage Temperature	-40°C to 70°C
Protection Rating	IP66
Efficiency flux	≥60LM/W(White), ≥40LM/W(RGBW), ≥30LM/W(RGB)
Beam Angle	6°, 10°, 30°, 80°, and other angles optional

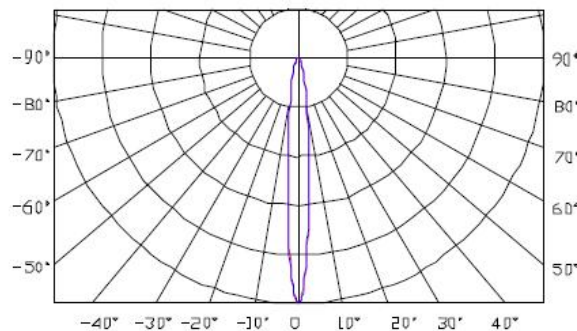
Host Controller	EXC-5200
Slave Controller	EXC-2905T1
Signal Cable	EXC-LED outdoor special cable

**Light Intensity Distribution**

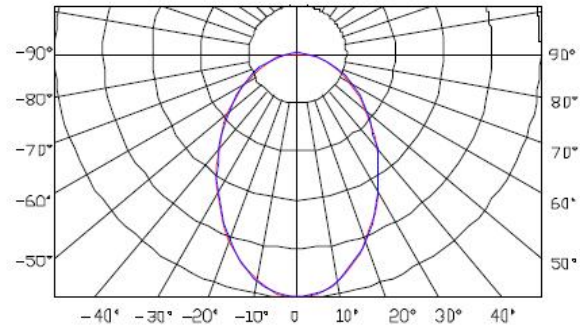
**5°  
Light Intensity Chart**



**10°  
Light Intensity Chart**

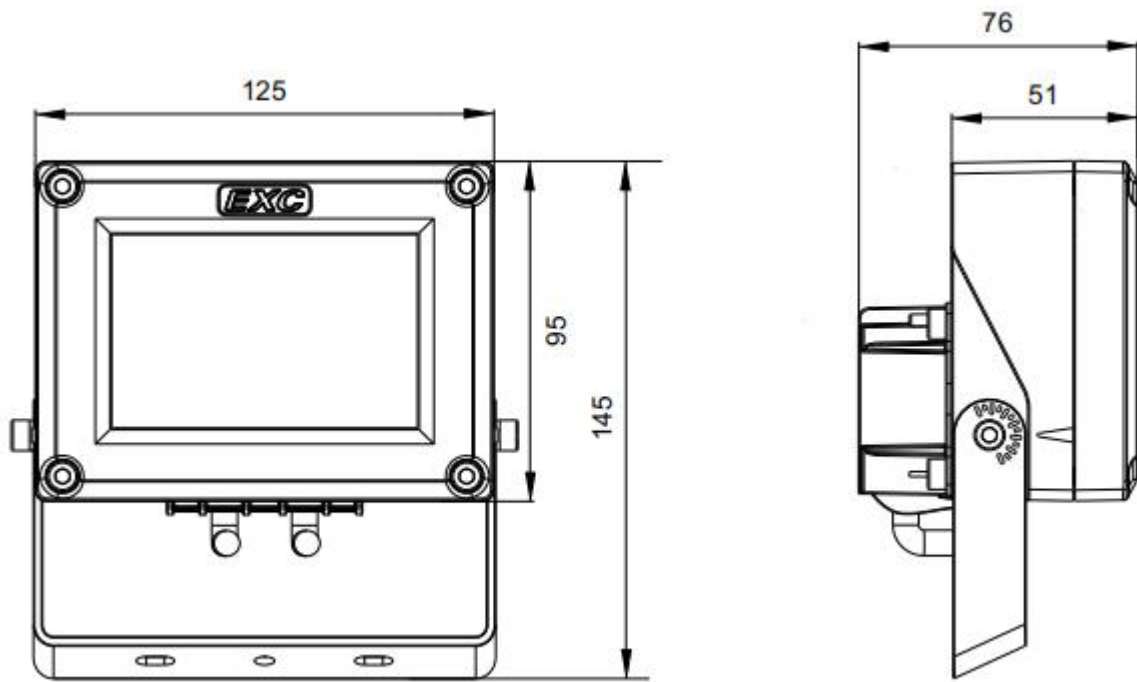


**80°  
Light Intensity Chart**



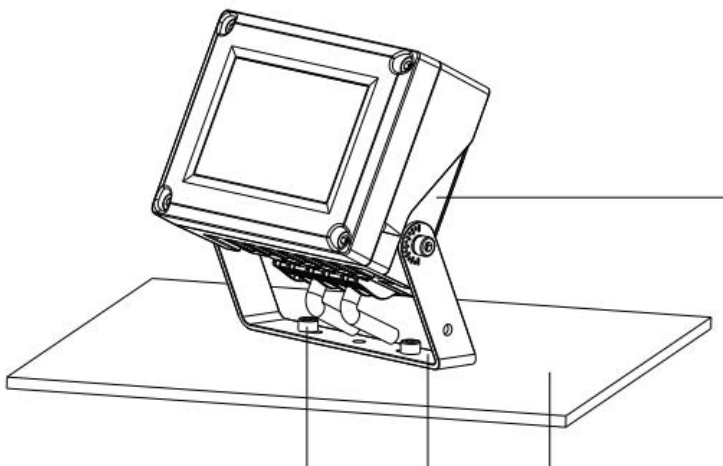
**Physical Dimension**

Unit: mm



**Installation Diagram**

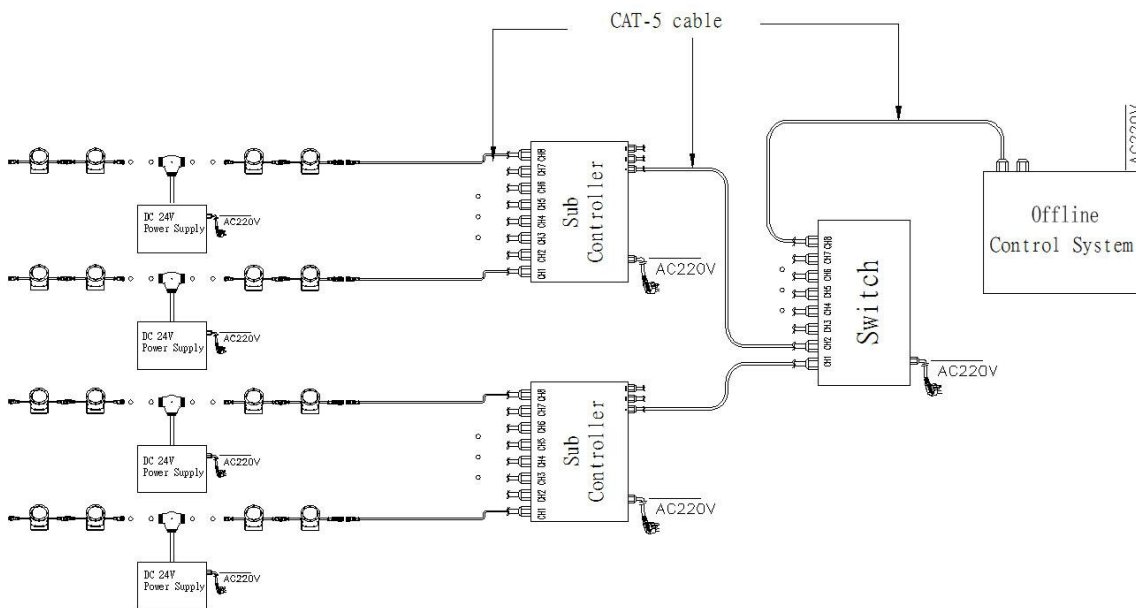
Select M5 screws to fix the lamp mounting bracket to the required position as shown in the figure, lock the mounting seat fixing screw, and lock the connecting screw after adjusting the angle of the lamp. Secure the installation.



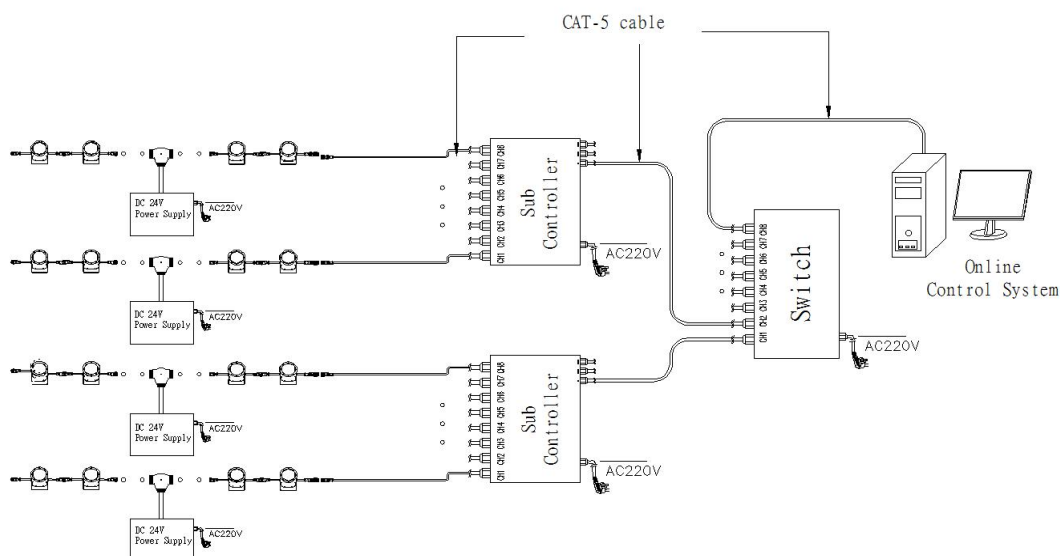
**System connection diagram:**

- 1、 Host controller should connect with slave controller. Working voltage for controllers are AC220V.
- 2、 On-line main controller should connect with slave controller, on-line main controller and sub controller working voltage are AC220V.
- 3、 each sub-controller with 8 ports, with each port 512 pixels, supporting data converter, supports 100 meters ultra-long haul transmission.
- 4、 The CAT-5 e. cable distance should be within 100 meters between host controller and slave controller, between slave controllers and switch, etc.

**Offline Controlling System Diagram**



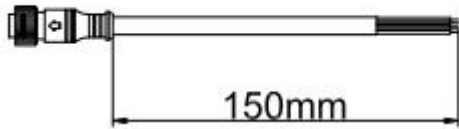
**Online Controlling System Diagram**



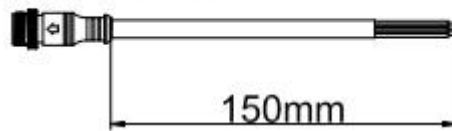
**Accessories :**

**1: Female and Male Connector( Connect to first dot light for signal transmission)**

Female Connector

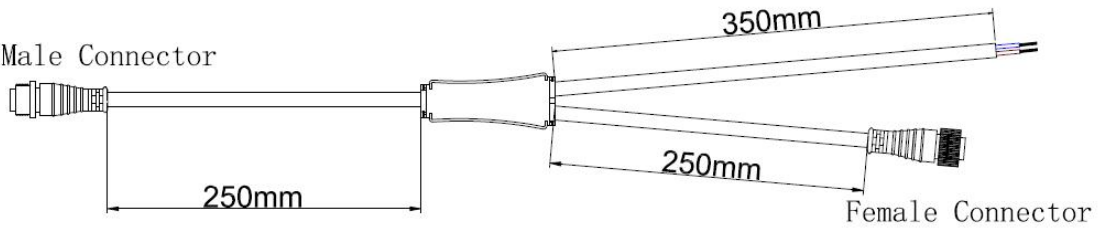


Male Connector



**2: Y Shape Connector(For power Distribution)**

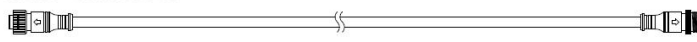
Male Connector



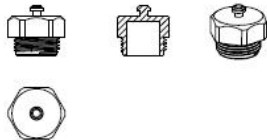
**3: Interconnection Cable(1.3M,3M,5M is standard length)**

Female Connector

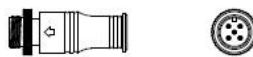
Male Connector



**4: End Cap**



Male Connector



Male Connector