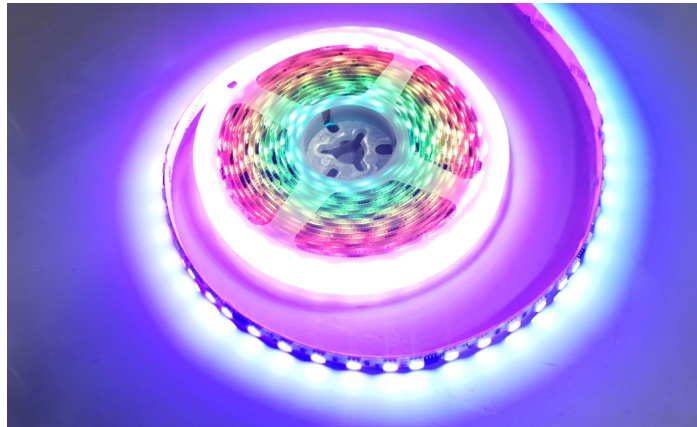


EC-S5050 SMD LED strip


Application Environment:
 Indoor
 Outdoor

Description

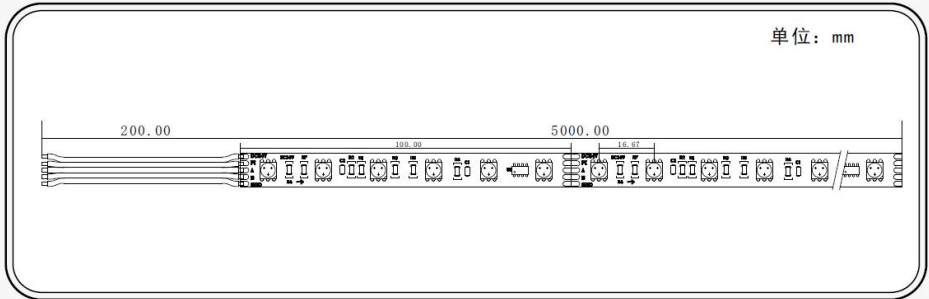
LED strip lights for indoor or outdoor applications, such as under-cabinet lighting, coves, landscapes, vehicles, and more. Choose 24V or 12V LED tape lights of any color, brightness, or length, and install them using a range of compatible accessories

Features

- 10 m long cascading CSP bare led strip with low voltage drop;
- Small size, thin and light, with small bending force point;
- Large luminous Angle, up to 160°, light color clean and soft, no yellow edge, good consistency;
- Simple structure, low thermal resistance, long life, high reliability;
- Application scenarios: Indoor Spaces: background layout, interior decoration lighting, advertising decoration, etc.

Basic Specifications

Color	RGB
Working Voltage	DC24V
Max. Power Consumption	9W/1M
Light Source	60pcs LEDs/1M
Length	5m/roll
Min shearable length	100mm
Control	DMX512
Source Life	50,000h
Light efficiency	30LM / W

<p>Dimensions</p>	
<p>Working Temperature</p>	<p>-30°C to 50°C</p>
<p>Storage Temperature</p>	<p>-40°C to 70°C</p>

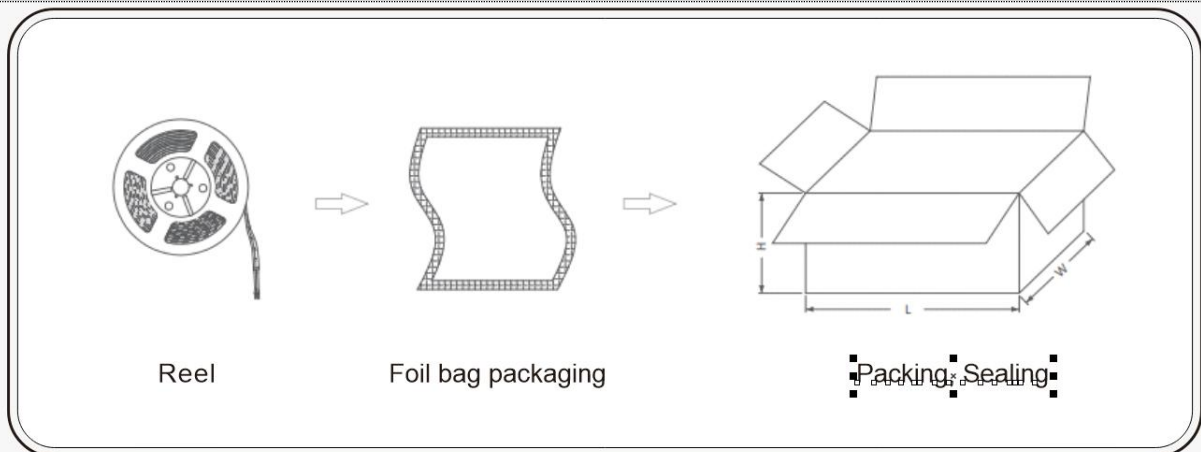
Packaging Information

<h2 style="text-align: center;">EC-C8240N</h2>			
<p>Length per roll (m)</p>	<p>5</p>	<p>Net weight per roll (g)</p>	<p>115</p>
<p>Total roll (roll)</p>	<p>140</p>	<p>Total length (m)</p>	<p>700</p>
<p>Total weight (kg)</p>	<p>/</p>	<p>Outer box size (mm)</p>	<p>570x490x185</p>

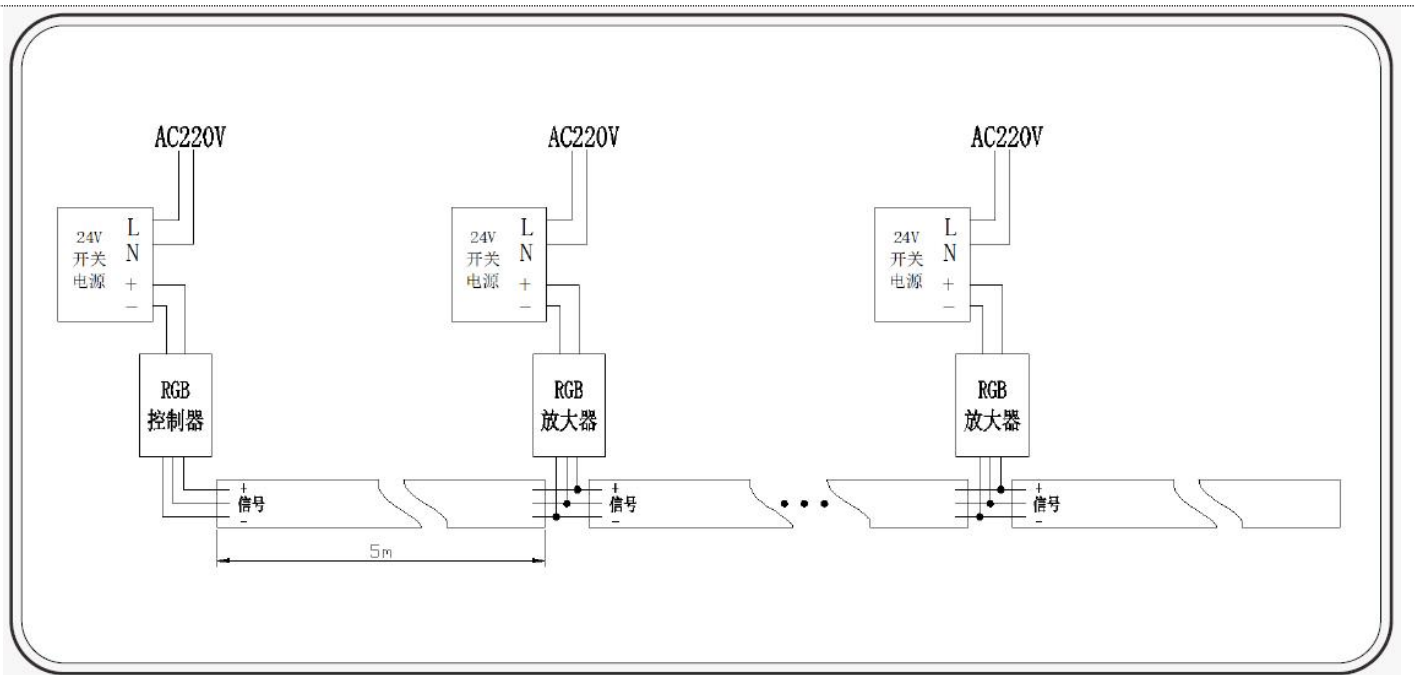
Remark:

The above-mentioned packaging quantity and weight are only for the illustrated packaging method. For other packaging methods, the packaging quantity and weight will be different. Specific to the actual product.

Packaging diagram



Installation electrical connection diagram

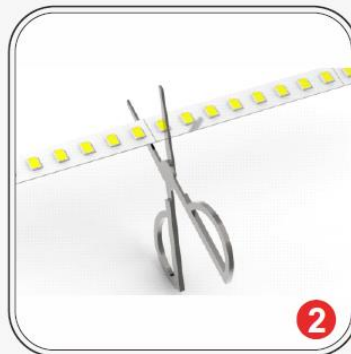


1. 5m CSP bare light strip, there is a pad every 100 mm of the light strip, the best position to cut the light strip is in the middle of the pad, otherwise it will cause waste;
2. There is a 3M double-sided tape on the back of the light strip. Before use, tear off the sticker and paste it to the installation position and compact it before use. Note that the installation position must be wiped clean, otherwise it will affect the adhesive effect;
3. The red or brown wire of the light strip is connected to the positive pole, and the black or blue wire is connected to the negative pole;
4. Use the 24 V supporting power supply to connect the positive and negative poles of the light strip, and then connect the power supply to the AC 220V. Do not connect the light strip directly to the AC 220V, otherwise the light strip will be damaged.

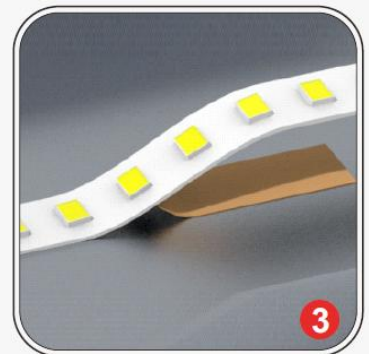
Installation Precautions



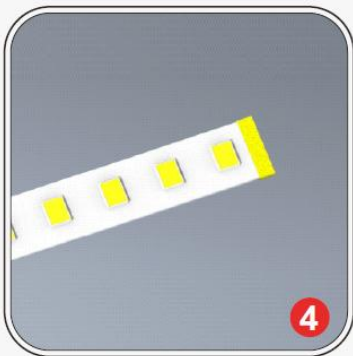
Clean the sundries on the installation surface, ensure that the surface is clean.



Measure the length of the lamp belt to be installed, and cut the extra lamp belt along the marking line of the scissors. If the connecting wire needs to be added, please weld it at the next scissors mark at the cutting position.



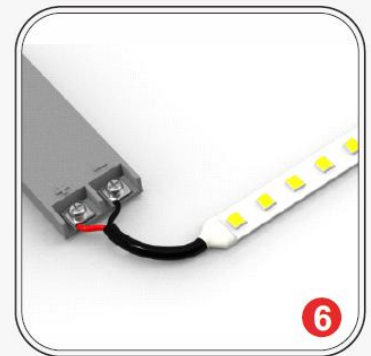
When pasting the light strip, the release paper on the back shall be lifted and pasted. It is strictly forbidden to remove all release papers at one time to avoid mutual adhesion of lamp strips.



The place where the scissor mouth of the lamp belt contacts the bottom of the inner groove of the profile shall be pasted with Mylar tape for isolation, avoid short circuit.



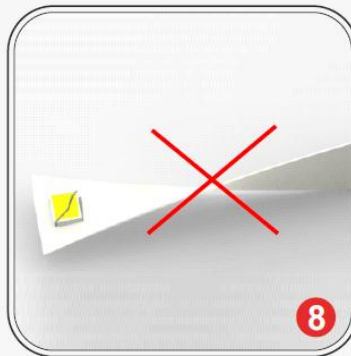
The lamp strip at the corner is installed as shown in the figure above, please note:
Forbidden to bend into a right angle;
Forbidden to bend and stick to the surface of profile.



After the lamp belt is installed, the lamp belt wire is connected to the power output end. Insulation, short-circuit prevention and corrosion prevention measures shall be taken at the terminals and terminals.



Forbid to bend the LED.



Do not twist the lamp strip.



If the external cord of the product is damaged, the cord should be replaced by the manufacturer or its service agent or a person with similar qualifications to avoid danger.

- The data given in this specification is based on the standard products, the actual products may be different, please refer to the real products.
- All product drawings in this specification book are schematic diagrams, actual products may be different, please refer to the actual type prevail.
- When installing cables, the power and voltage of the power supply should match the product. It is recommended that the load of the power supply be 80-90% of the nominal rated power, which is more economy and security.
- All product in the installation and use process, strictly prohibit violent installation operation, to protect the integrity of the product appearance structure, do not arbitrarily cut, pull, squeeze, twist, beat with hard object ect non-standard operation.
- Products in the process of installation and use process, strictly in accordance with the requirements of the manual operation, due to human operation, improper use of the product damage, we are not responsible.
- This product is subject to change without prior notice.