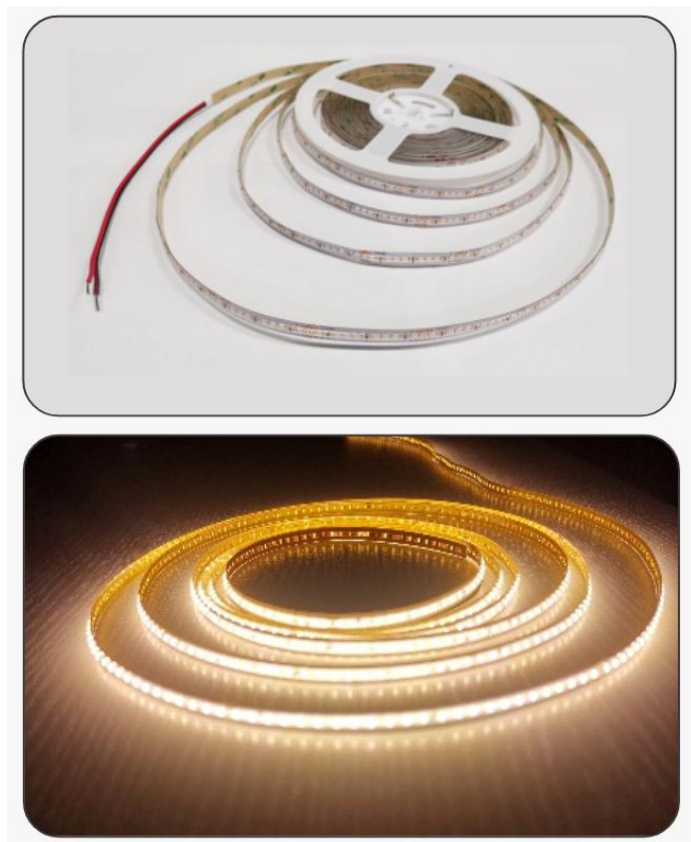


EC-C8240N CSP LED Strip



Application Environment:
Indoor
Outdoor

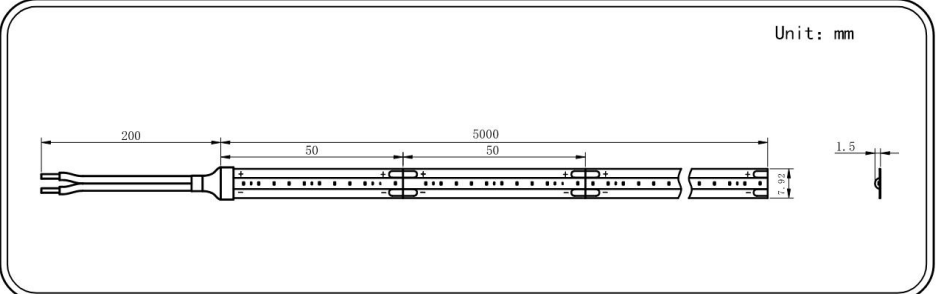
Description

LED strip lights for indoor or outdoor applications, such as under-cabinet lighting, coves, landscapes, vehicles, and more. Choose 24V or 12V LED tape lights of any color, brightness, or length, and install them using a range of compatible accessories

Features

- 10 m long cascading CSP bare led strip with low voltage drop;
- Small size, thin and light, with small bending force point;
- Large luminous Angle, up to 160°, light color clean and soft, no yellow edge, good consistency;
- Simple structure, low thermal resistance, long life, high reliability;
- Application scenarios: Indoor Spaces: background layout, interior decoration lighting, advertising decoration, etc.

Basic Specifications	
Color	2700K/3000K/4000K/5000K/ 6000K/Red light/green light/ice blue light
Working Voltage	DC24V
Max. Power Consumption	9W/1M
Light Source	240pcs LEDs/1M
Length	5m/roll
Min shearable length	100mm
CRI	90
Control	ON/OFF
Source Life	50,000h
Light efficiency	80LM / W

<p>Dimensions</p>	
<p>Working Temperature</p>	<p>-30°C to 50°C</p>
<p>Storage Temperature</p>	<p>-40°C to 70°C</p>
<p>Beam Angle</p>	<p>160°</p>

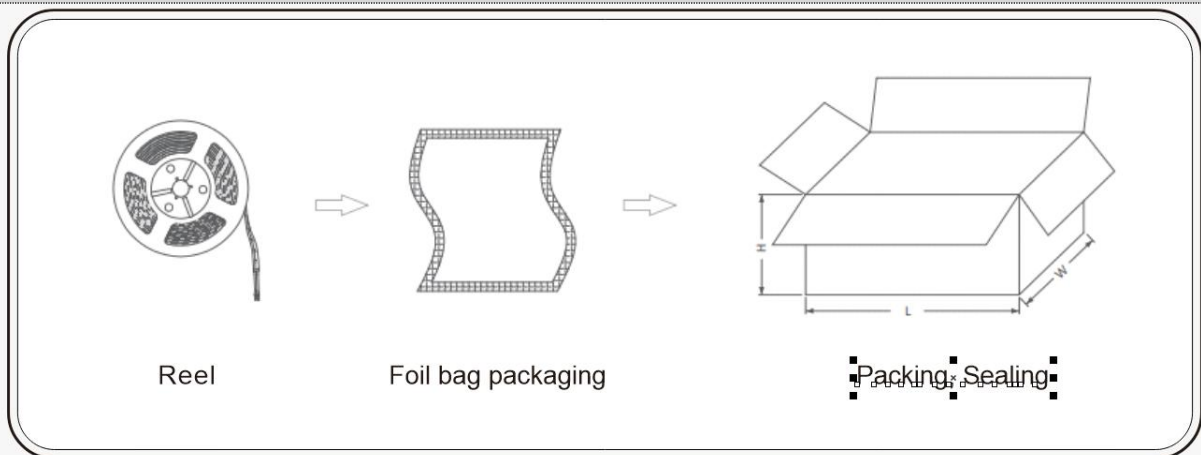
Packaging Information

<h2 style="text-align: center;">EC-C8240S</h2>			
<p>Length per roll (m)</p>	<p>10[*]</p>	<p>Net weight per roll (g)</p>	<p>145</p>
<p>Total roll (roll)</p>	<p>100</p>	<p>Total length (m)</p>	<p>1000</p>
<p>Total weight (kg)</p>	<p>15</p>	<p>Outer box size (mm)</p>	<p>420x310x415</p>

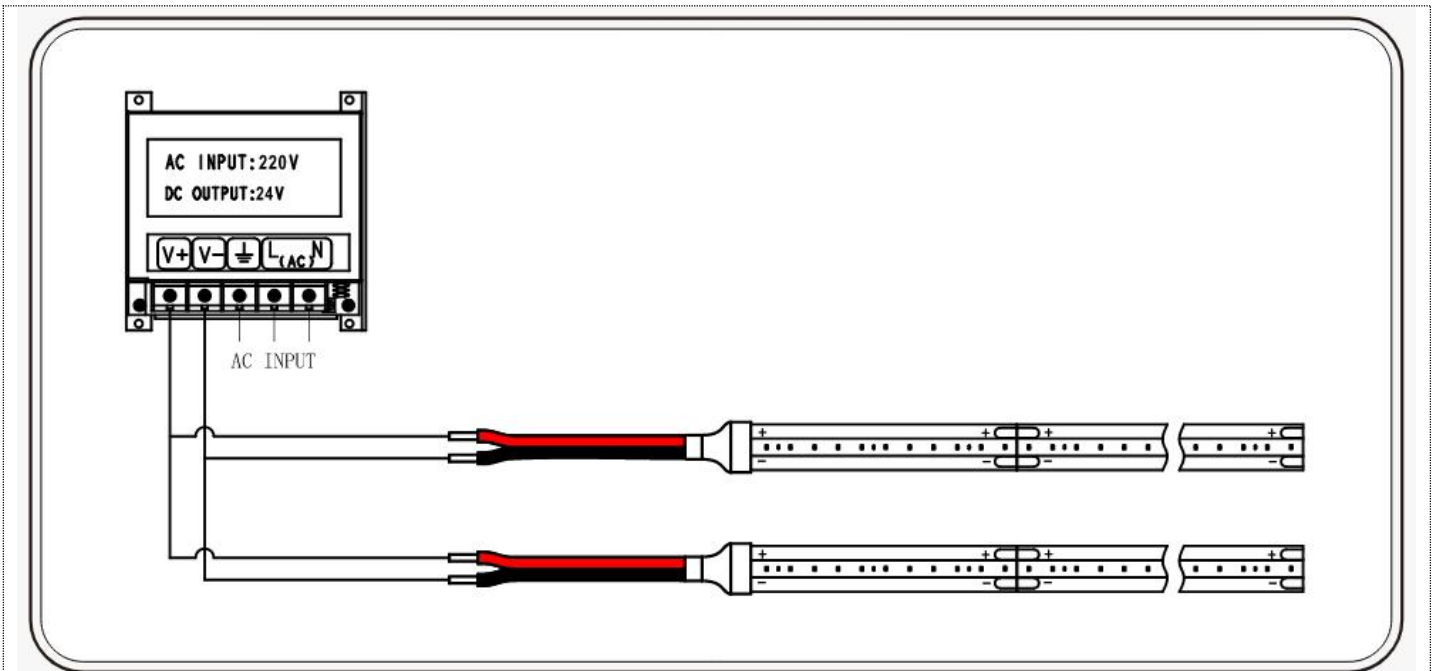
Remark:

The above-mentioned packaging quantity and weight are only for the illustrated packaging method. For other packaging methods, the packaging quantity and weight will be different. Specific to the actual product.

Packaging diagram

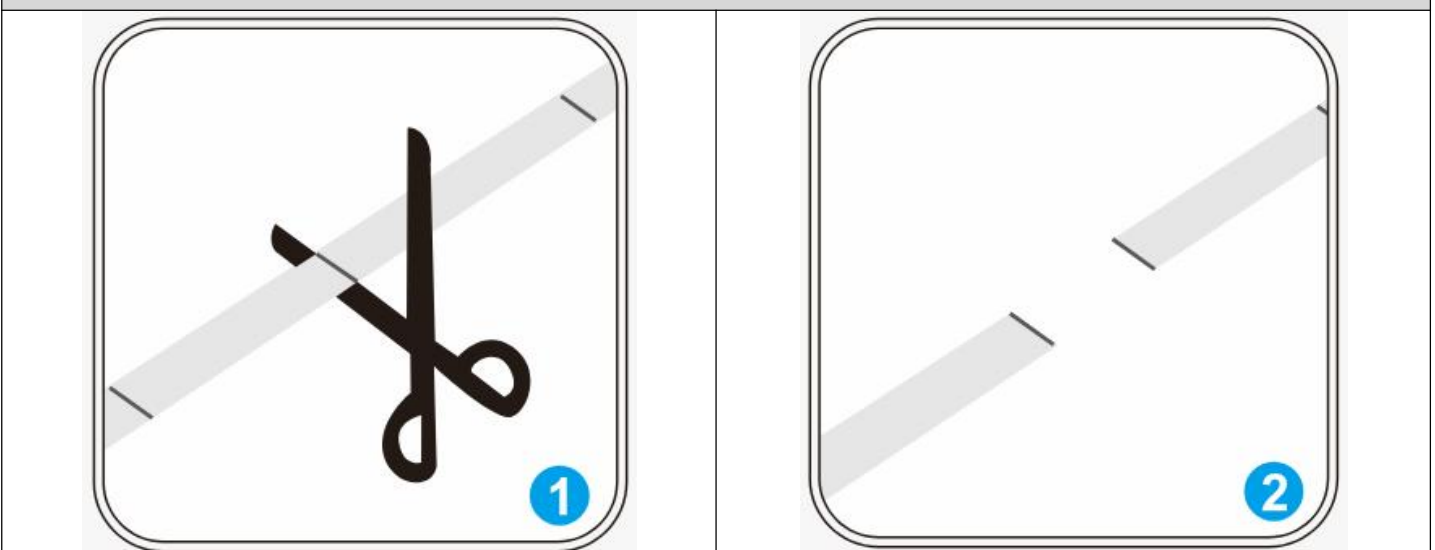


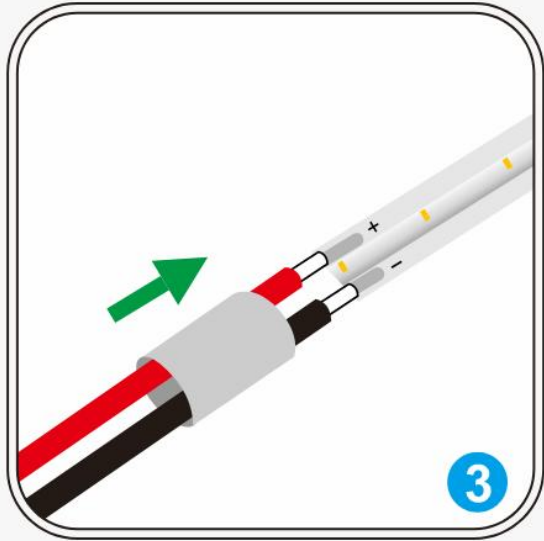

Installation electrical connection diagram



1. 5m CSP bare light strip, there is a pad every 100 mm of the light strip, the best position to cut the light strip is in the middle of the pad, otherwise it will cause waste;
2. There is a 3M double-sided tape on the back of the light strip. Before use, tear off the sticker and paste it to the installation position and compact it before use. Note that the installation position must be wiped clean, otherwise it will affect the adhesive effect;
3. The red or brown wire of the light strip is connected to the positive pole, and the black or blue wire is connected to the negative pole;
4. Use the 24 V supporting power supply to connect the positive and negative poles of the light strip, and then connect the power supply to the AC 220V. Do not connect the light strip directly to the AC 220V, otherwise the light strip will be damaged.

Installation Precautions



Mark the position on the back of the light bar. Do not cut between other positions to avoid damage to the light bar	After cutting diagram
	
Post-shear schematic diagram	Use the heat fan to blow the heat shrinkable tube at the welding position until the heat shrinkable tube shrinks and wraps the welding position



If the external cord of the product is damaged, the cord should be replaced by the manufacturer or its service agent or a person with similar qualifications to avoid danger.

- The data given in this specification is based on the standard products, the actual products may be different, please refer to the real products.
- All product drawings in this specification book are schematic diagrams, actual products may be different, please refer to the actual type prevail.
- When installing cables, the power and voltage of the power supply should match the product. It is recommended that the load of the power supply be 80-90% of the nominal rated power, which is more economy and security.
- All product in the installation and use process, strictly prohibit violent installation operation, to protect the integrity of the product appearance structure, do not arbitrarily cut, pull, squeeze, twist, beat with hard object ect non-standard operation.
- Products in the process of installation and use process, strictly in accordance with the requirements of the manual operation, due to human operation, improper use of the product damage, we are not responsible.
- This product is subject to change without prior notice.