

EXC-U20H LED Linear light

Application Environment:
Outdoor

Description

EXC-U20H full color series products are extra-narrow LED linear light with aluminum shell for outdoor landscape decoration. The width of EXC-U20H is only 20mm, each one with 8 pixels and each pixel can realize 256 grade gray scale color changing. EXC-U20H can be applicable for super large area displaying or outline the building. It also can be used to decorate facade inside and outside, even small area wall-washing effect

Features

- Only 20mm width, very compact design.
- The newest generation technology: DMX512 parallel bus design
- Full-sealed filling waterproof design by German imported glue
- Aluminum alloy lamp body with low thermal resistance path heat dissipation design
- Outdoor lightning protection and electrostatic discharge (ESD) protection design

Basic Specifications

Color Range	RGB
Light Source	48 pcs SMD 5050 LEDs
Source Life	50,000 h
Material	High strength aluminum alloy/PC lampshade
Weight	420g

Environmental Specifications

Working Temperature	-40°C to 50°C
Storage Temperature	-40°C to 70°C
Protection Rating	IP66

Electrical Specifications

Working Voltage	DC 24V
Max. Power Consumption	9W/m

Optical Specifications

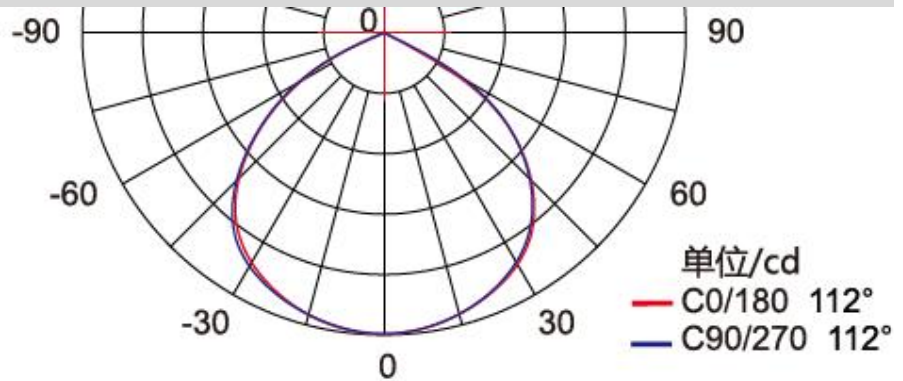
Central light intensity Mixed white:120cd; (data refer to full color light source)
Beam Angle $\geq 110^\circ$

Controller

Main Controller EXC-M630D、EXC-6000、EXC-8000、EXC-10000、EXC-ELAN
Sub Controller EXC-2905T2

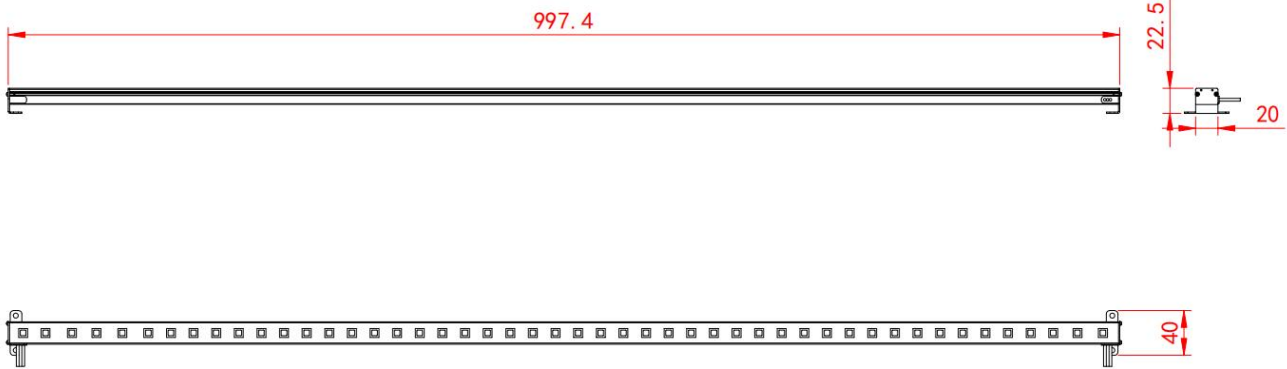
Light Intensity Distribution

Light Intensity Chart



Physical Dimension

Unit: mm



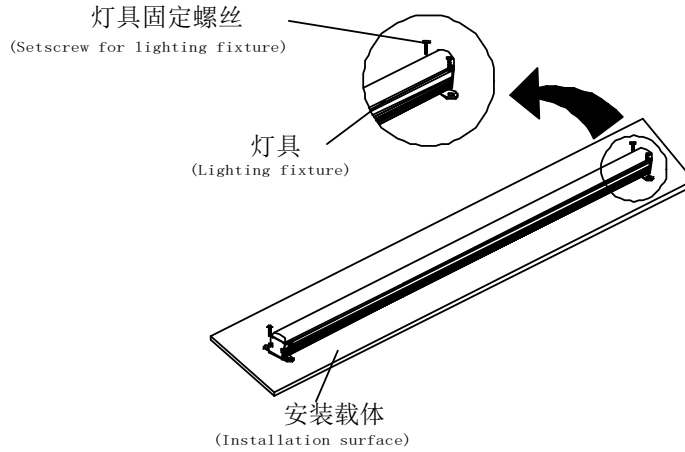
Mounting Accessories 1:

Installation Diagram

Facade installation

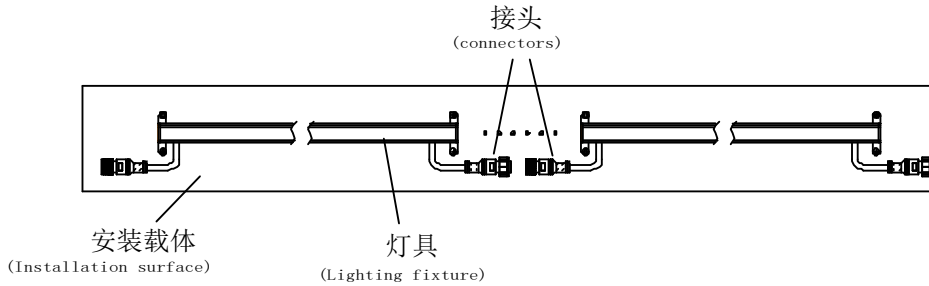
步骤1: 选用M4螺丝按如图方式将灯具固定到需求位置. 注意安装牢固。

Step1: Fix the lighting fixture on the requested location use M4 screw as Pic, and actual spacing is subject to the lighting fixture length.



步骤2: 最后按如图方式将防水接头线公母头通过螺纹相连, 注意安装牢固。

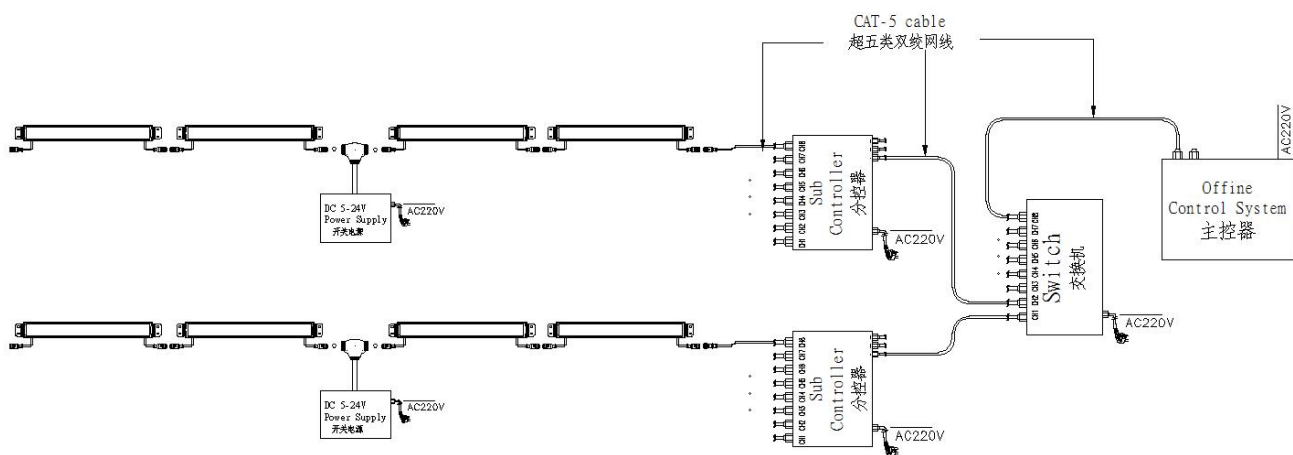
Step2: Connect the male connector and female connector tightly as Pic.



System connection diagram:

- 1、 Host controller should connect with slave controller. Working voltage for controllers are AC220V.
- 2、 On-line main controller should connect with slave controller, on-line main controller and sub controller working voltage are AC220V.
- 3、 each sub-controller with 8 ports, with each port 512 pixels, supporting data converter, supports 100 meters ultra-long haul transmission.
- 4、 The CAT-5 e. cable distance should be within 100 meters between host controller and slave controller, between slave controllers and switch, etc.
- 5、 the maximum spacing of not more than 5 meters, more than the need to add a signal amplifier.

Offline Controlling System Diagram



Online Controlling System Diagram

